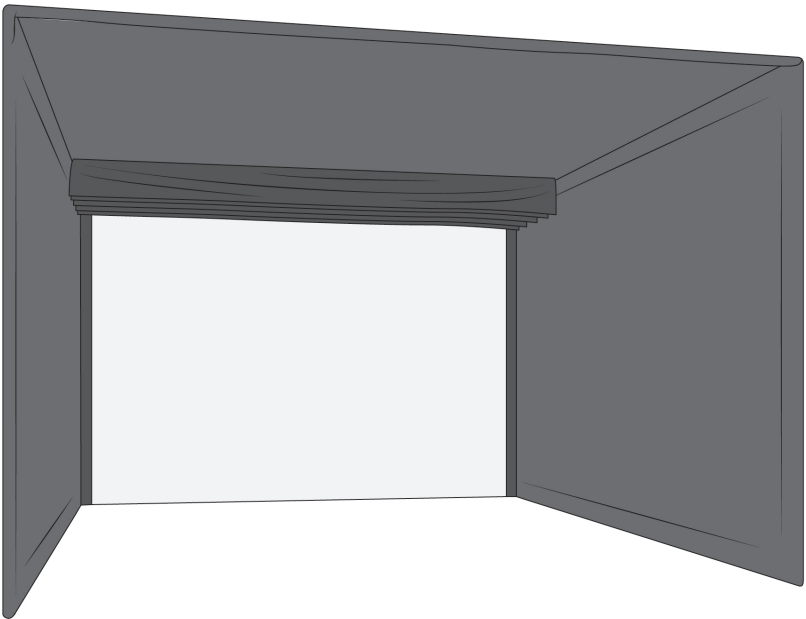




Pro Enclosure Kit

Assembly Instructions & User Manual

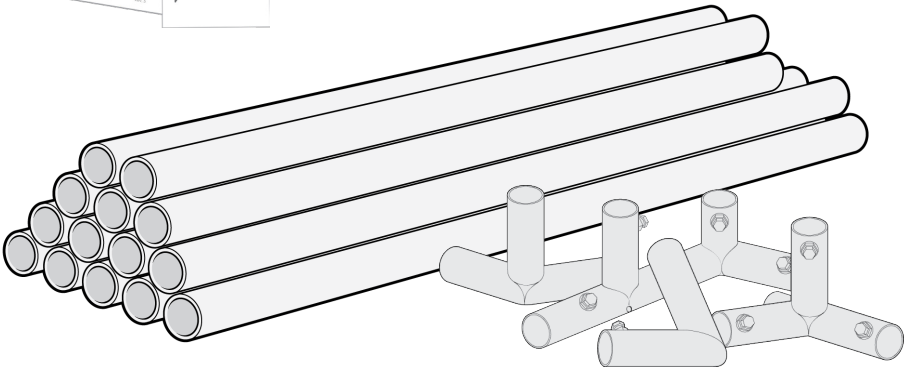
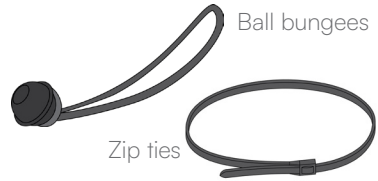
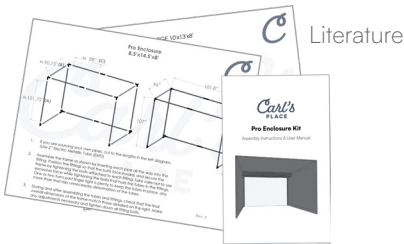


Get it digitally.



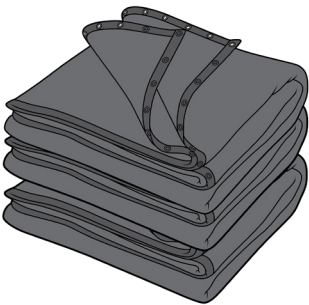
Thank you for purchasing a golf simulator impact screen and enclosure kit from Carl's Place! In this guide you will find everything you need to complete your kit assembly, plus a few tips to help you make the best use of it.

Materials List

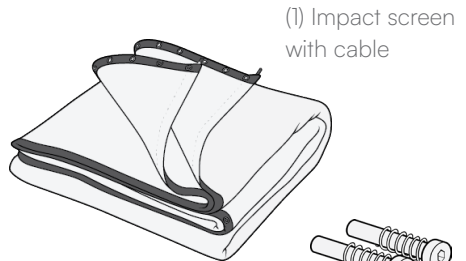


(1) Kit of pre-cut and marked pipes *OR*
self-sourced, if pipes were not purchased

(1) Kit of pipe connector fittings



(1) Ceiling panel (or split design)
(2) Wall panels (left and right)



(2) Cable receivers
(2) Springs

Optional Accessories

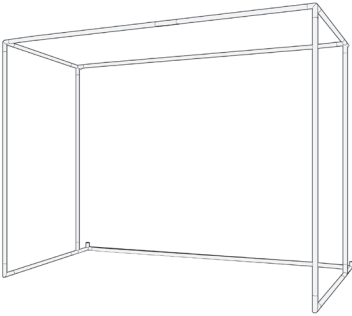
- Foam Inserts
- Projector/Electronics Mount(s)
- Ceiling Baffle(s)
- Back Cover

Assembly Overview

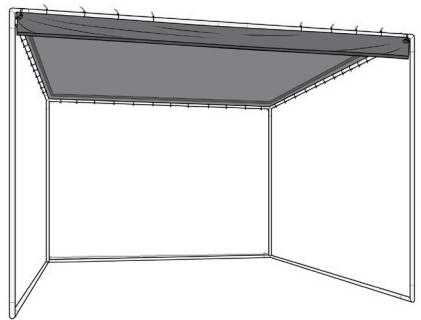
Tools Needed

- 6mm and $\frac{3}{16}$ " Hex Bit Socket and Ratchet (or Hex Keys)
- Rubber mallet
- Tape measure
- Pliers
- Cutting tool
- Step Ladder (8-ft recommended)
- Optional. A friend who owes you a favor

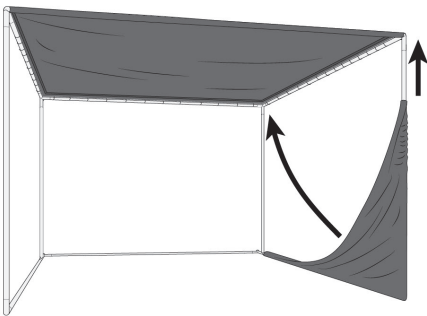
1. Assemble Frame



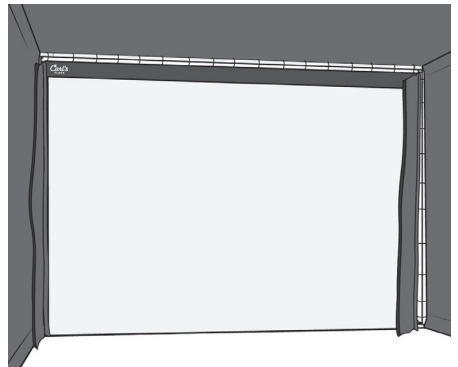
2. Attach Ceiling Panel



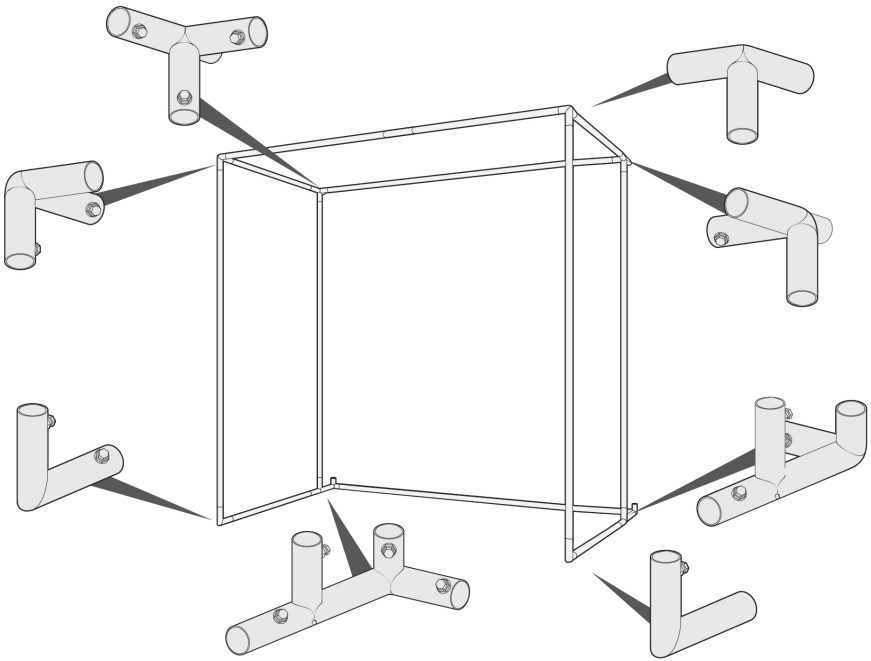
3. Attach Wall Panels



4. Hang Impact Screen



Assemble Frame



Using the Frame Assembly Sheet included in this manual, construct your frame.

If you bought a pipe kit from Carl's Place, simply insert the pipes fully into the connectors and tighten with 6mm Hex.

- If you ordered a back cover kit with pipes, set those aside. You'll construct that part later.

If you did not buy a pipe kit from Carl's Place, you must source your own pipes, cut to the specifications shown on the Frame Assembly Sheet.

Carl's Tips

Start by putting together the bottom base of the frame. If necessary, use a rubber mallet to completely insert the pipes into the fittings. Then, work bottom to top, back to front.

Attach Ceiling Panel

The ceiling is the panel without any sewn sleeves on the sides.

Orient the ceiling panel so that the front flap is on the underside of the panel, facing down.

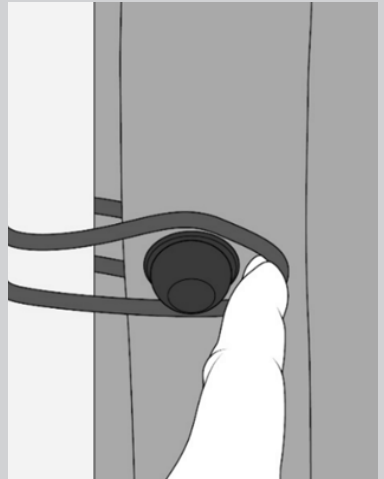


Using Ball Bungees and Zip Ties

Throughout the installation, you will use ball bungees and zip ties to attach panels to the frame.

For bungees:

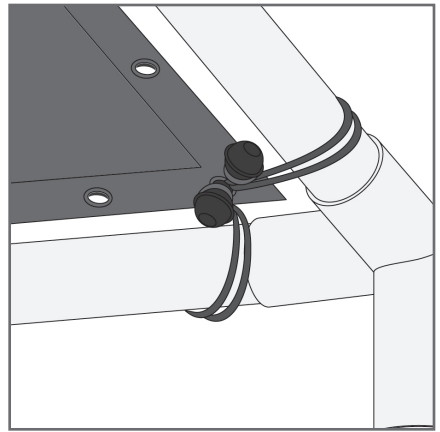
1. Insert the loop end of the bungee into a grommet.
2. Thread it through until the ball stops it.
3. Wrap the loop end around the pipe.
4. Hook it over the ball to secure.



For zip ties:

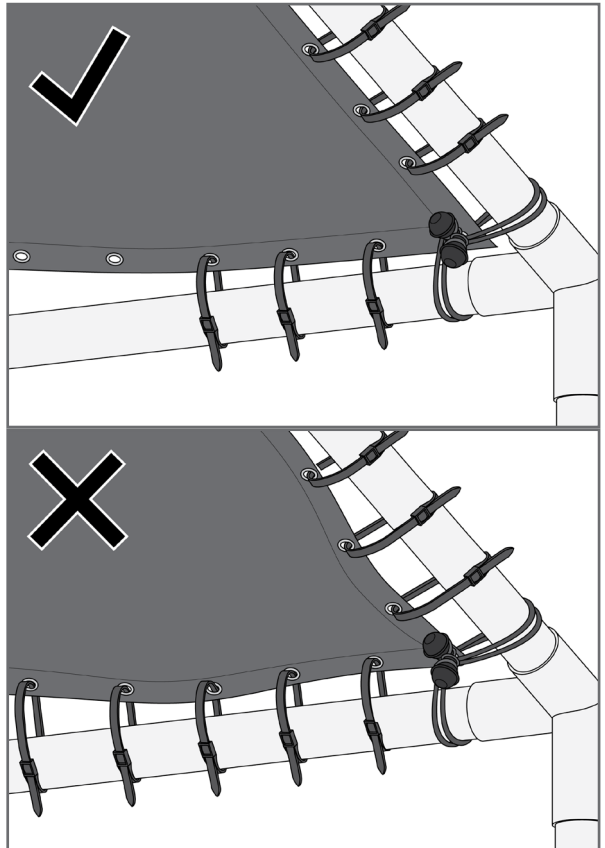
1. Insert the tail end of the zip tie into a grommet.
2. Wrap the tail around the pipe and insert into the head.

Only at the four corners use ball bungees to attach the ceiling to the frame. Use two bungees in each corner grommet (one in each direction).



With the panel attached in the corners, **and centered**, switch to using zip ties.

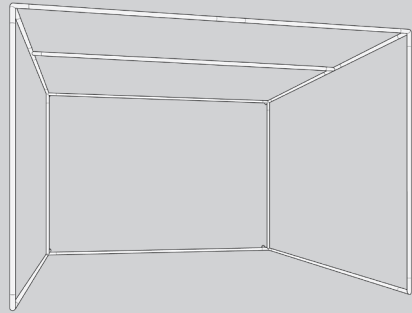
Insert a zip tie through each grommet and gently secure it around the pipe. Tighten only enough to keep the gap between the ceiling panel and pipe even.



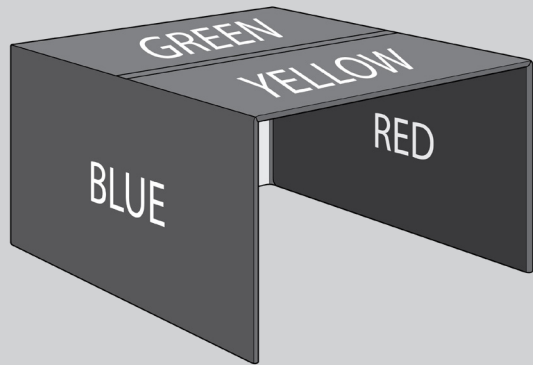
Alternative Design: Split Panel Ceiling

If your golf enclosure has a split panel ceiling design, follow these color-coded directions to install.

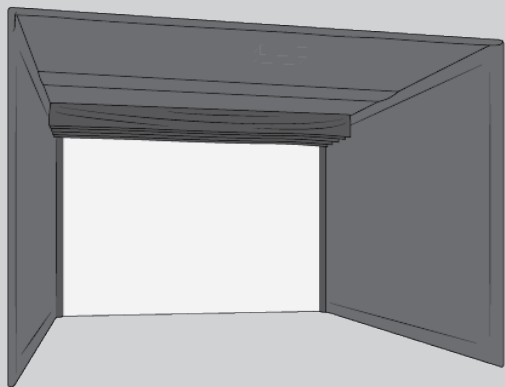
Each of the panels is designated by a colored tab. Orient the colored tab to the rear of the enclosure, with the loop fasteners facing down and in.



1. Green — rear ceiling panel nearest impact screen (has no flaps)
2. Yellow — front ceiling panel (has flaps on two sides)
3. Red — right-hand wall (as you face the screen)
4. Blue — left-hand wall (as you face the screen)



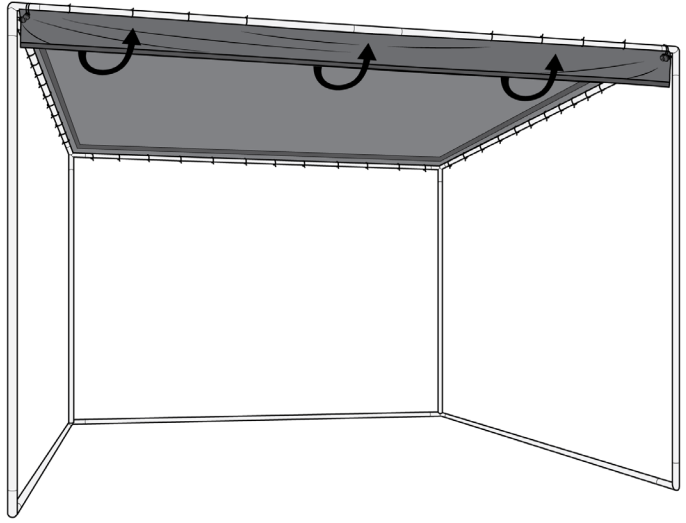
Connect the flaps in the center of the ceiling panel using the hook and loop fasteners.



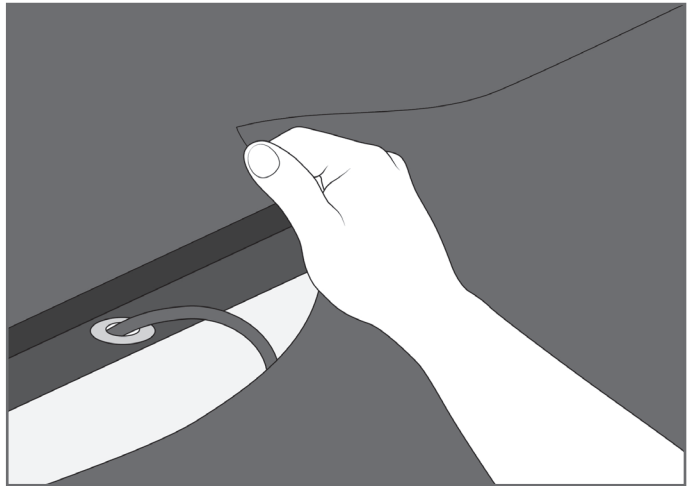
Optional: For a more professional look, rotate the head of the zip tie to the back and top of the enclosure. You'll minimize any bumps under the flaps. You can also cut the tails off the zip ties at this time.

Attach Ceiling Panel Flaps

Starting at the corners, fold the attached flap over the front of the frame.



Attach it to the top of the ceiling panel using the integrated hook-and-loop strips.



Install (Optional) Electronics Mount

If you've purchased mount hardware accessories, follow the instructions included with those before proceeding.

Install (Optional) Baffles

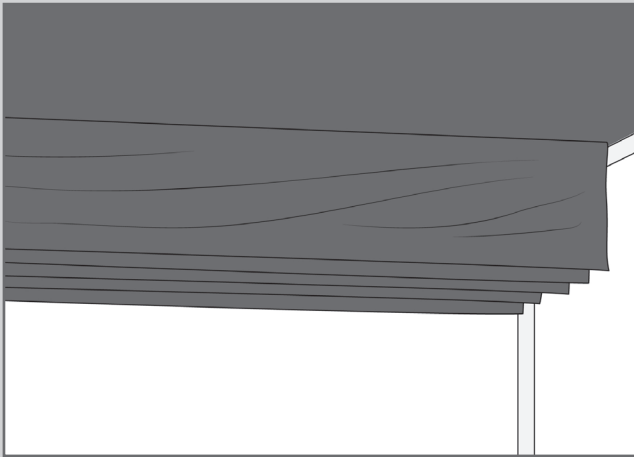
If you did not purchase baffles, skip this step.

Baffles attach to the top of the frame. Insert a bungee through the loop of cord on the baffle and attach the bungee around the frame.

Baffles can be spaced at any preferred distance away from the screen. 1 - 1.5 ft apart is common.

Hang the baffles with the matte side facing the front of the enclosure and stretch them to the top of the frame using one bungee on each side.

Zip-ties can be used to apply extra tension if needed.

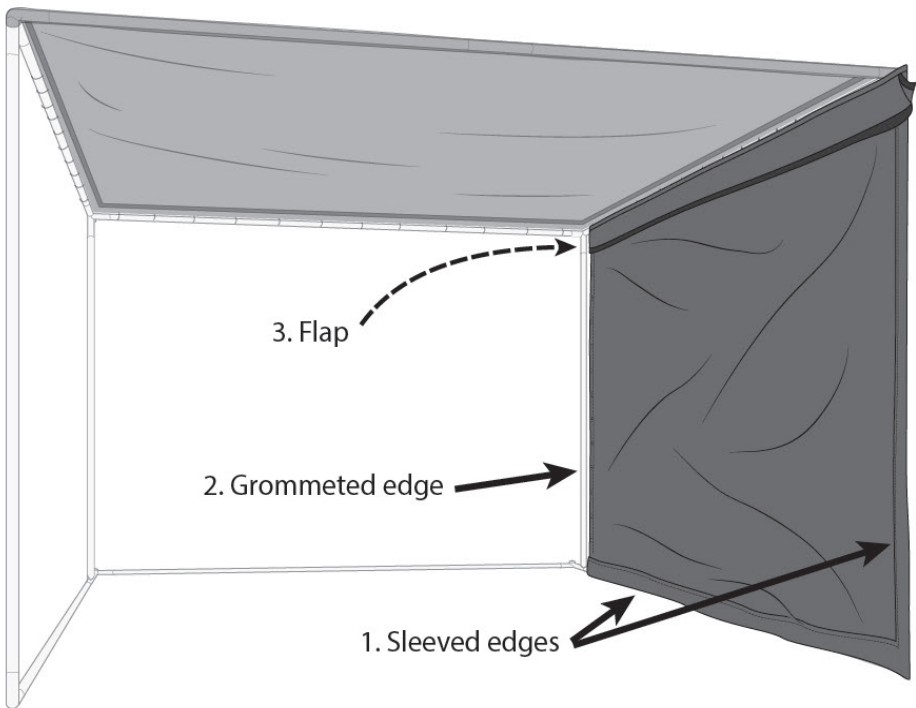


Attach Wall Panels

The wall panels are marked with colored tabs. The red colored tab marks the panel for the right wall (as you face the screen). The blue colored tab marks the left wall. Pictured example shows the right wall panel.

Before attaching the wall panels, orient the panels so that:

1. The sleeved edges are closest to the bottom and front pipes
2. The grommeted edge is closest to the rear pipe
3. The edge with flaps and grommets can be lifted to top of the frame



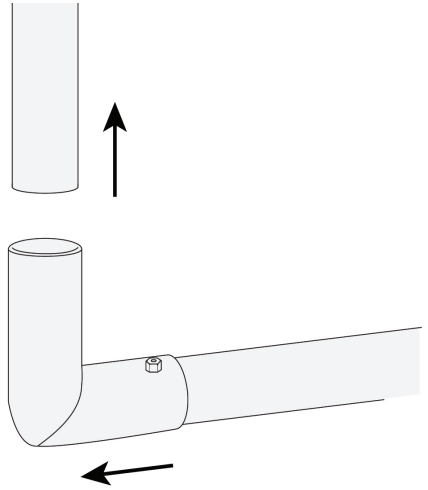
Carl's Tips

Check for burs - you don't want to rip the enclosure material on any sharp ends of the pipes.

To attach the wall panel, you need to slide both sleeved wall panel edges onto the pipe frame, one at a time.

Warning. This next part is tricky, but it will all be worth it. Once installed you'll get a smooth black corner on your enclosure,

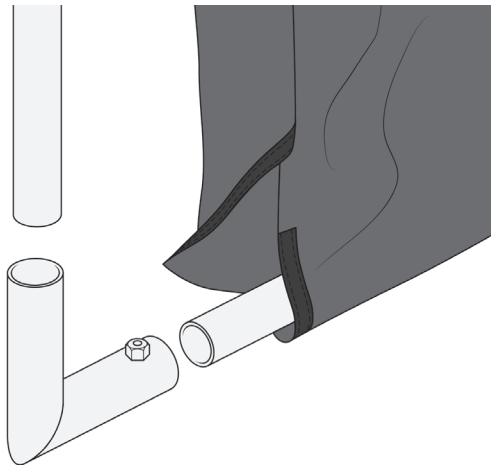
First, un-install the "L" fitting at the bottom front of the frame.



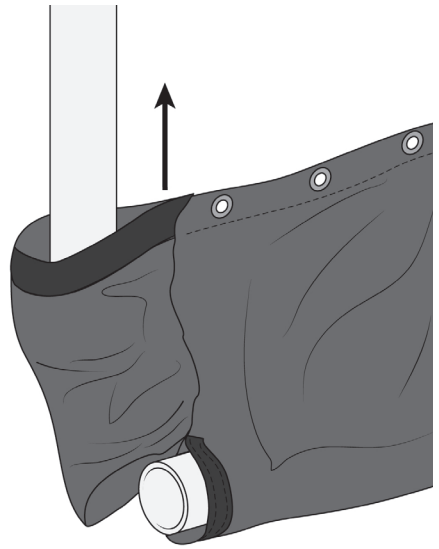
Slide the bottom sleeved edge of the wall panel onto the bottom pipe.

Carl's Tips

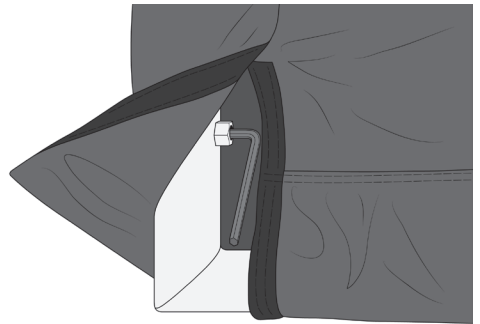
Place a block of wood under the frame to prop it up while sliding the sleeve on.



Then, slide the front sleeved edge of the wall panel upward onto the front vertical pipe.

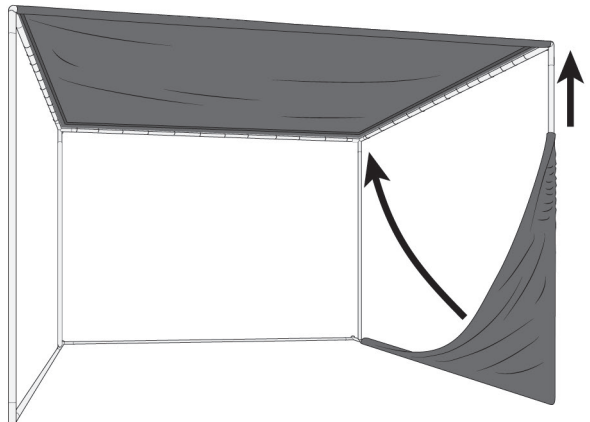


Once the wall panel material is over both the bottom and front pipes, re-install the “L” fitting.



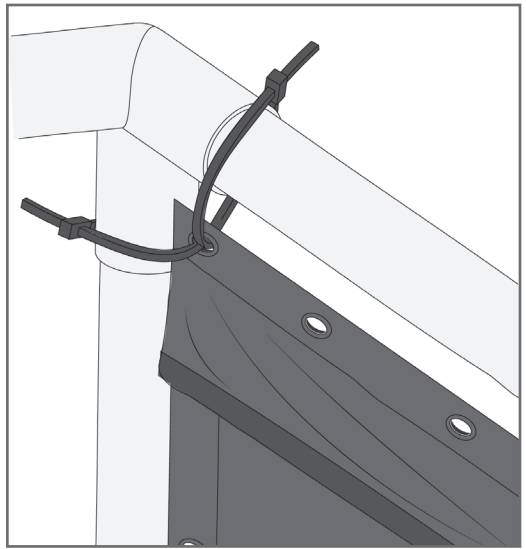
Tighten the connector, then attach the hook-and-loop fasteners that wrap around corner.

Once the “L” fitting is reinstalled, slide the front sleeve to the top of the frame and secure with one zip tie.

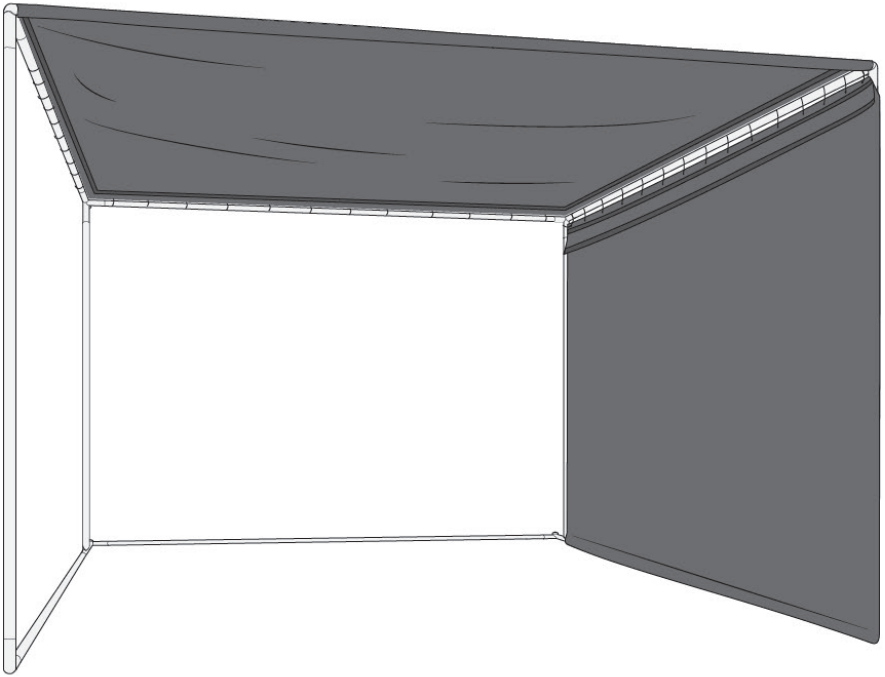


Stretch the bottom sleeve to the back of the frame.

Tightly secure the back corner to the frame using two zip ties (one connecting in each direction.)



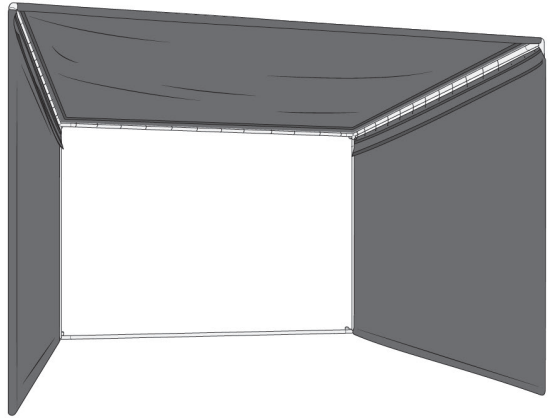
Continue securing the wall panel by loosely looping a zip tie through each grommet around the top pipe. Check the fit. Tighten only enough to obtain a straight, even gap between the panel and the pipe.



Carl's Tips

Smooth the fabric on the front pipe upward. Then tighten the zip tie for a smooth front edge.

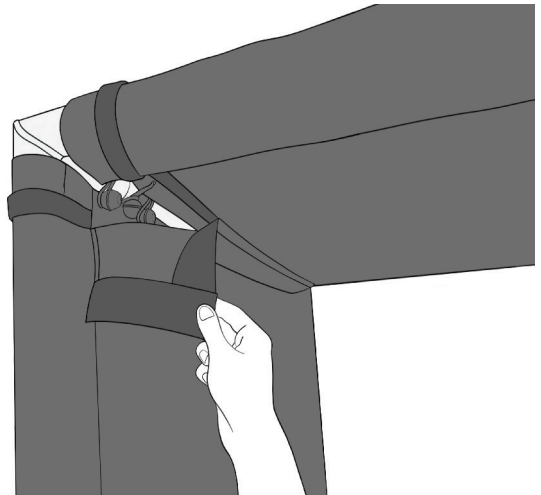
Repeat by installing the second wall panel.



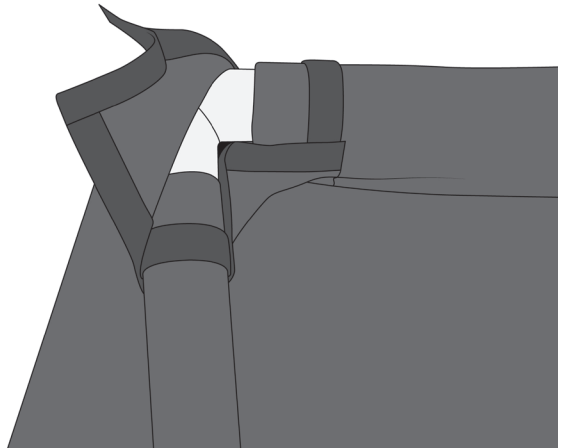
Attach Wall Panel Flaps

It is important to attach the wall panels flaps in the right order.

First, from inside the enclosure, secure the wall panel flaps to the ceiling panel using the hook-and-loop fasteners.



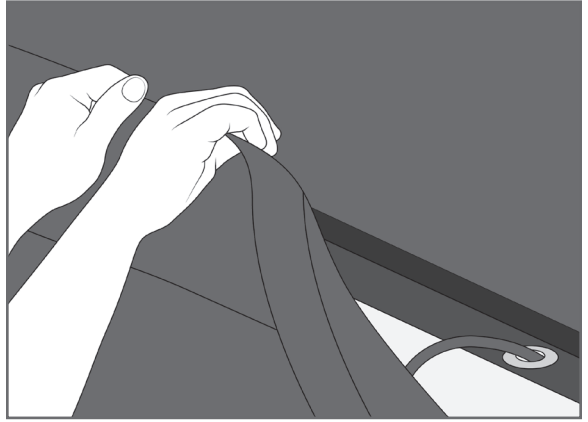
Next, stretch and smooth down the corners of the flaps around the front corner of the frame.



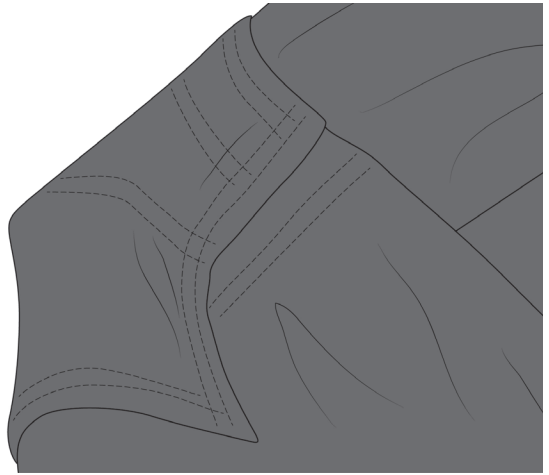
Carl's Tips

When attaching the flaps start at the front of the enclosure and work back.

Lastly, from the outside of the enclosure, wrap the wall panel flap around the frame and attach it to the top of the ceiling panel.



Check the fit. If you need to make adjustments to achieve a smooth corner, do so now.



Alright! The enclosure cover is done.

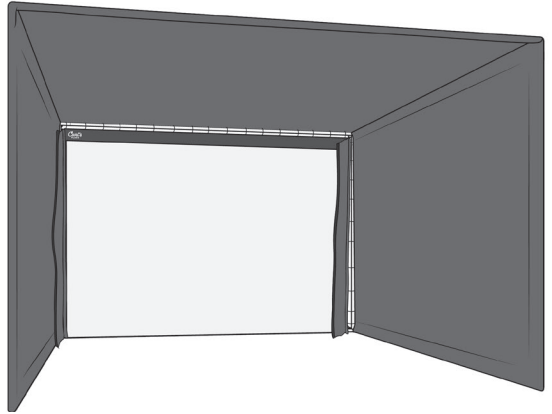


Order pizza. Because why not celebrate with pizza?

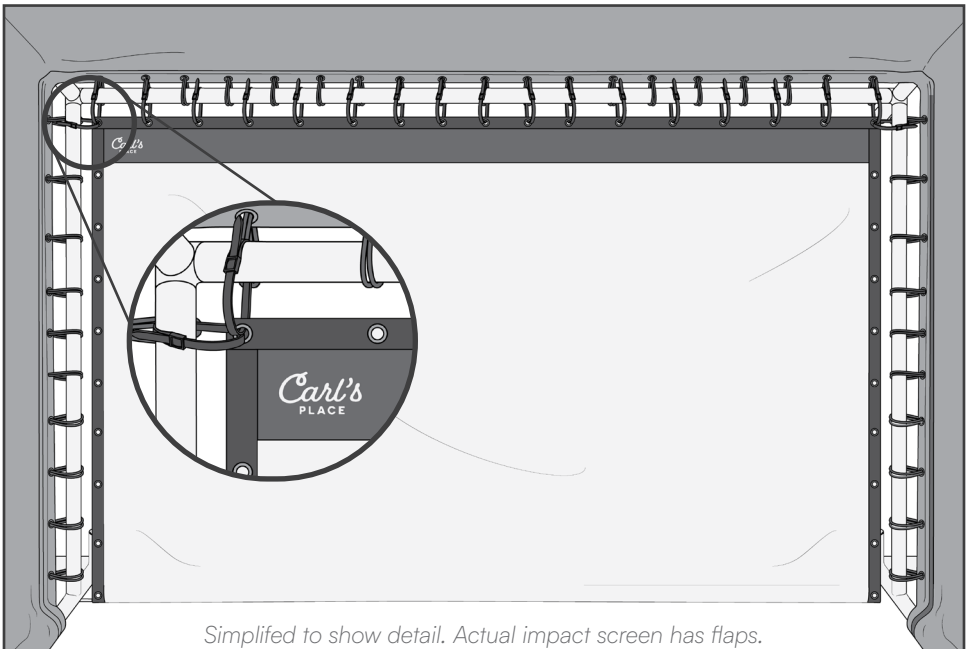
Hang Impact Screen

! Take care when using zip ties to hang the impact screen. **DO NOT overtighten zip ties.** Zip ties should not stretch the screen but just hold it flat. Tighten only until they just start to pull on the screen.

Orient the impact screen with the Carl's Place logo in the top left.

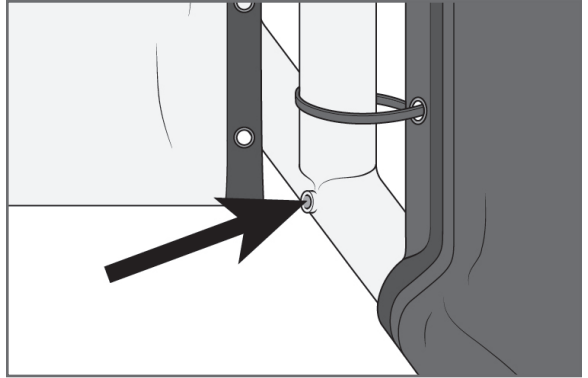


Loosely hang the screen on the frame, beginning with two zip ties (one connecting in each direction) in each of the top two corners. Continue loosely securing the rest of the zip ties **across the top of the screen only.**

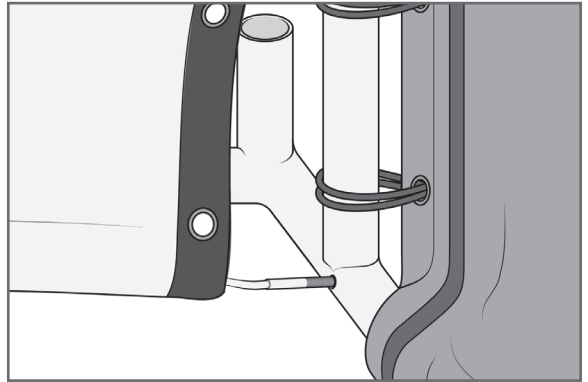


Next, you'll attach the bottom of the impact screen using the cable. The cable is pre-threaded through the bottom sleeve of the impact screen.

On one of the rear corner fittings, locate the small hole at the base of the fitting.



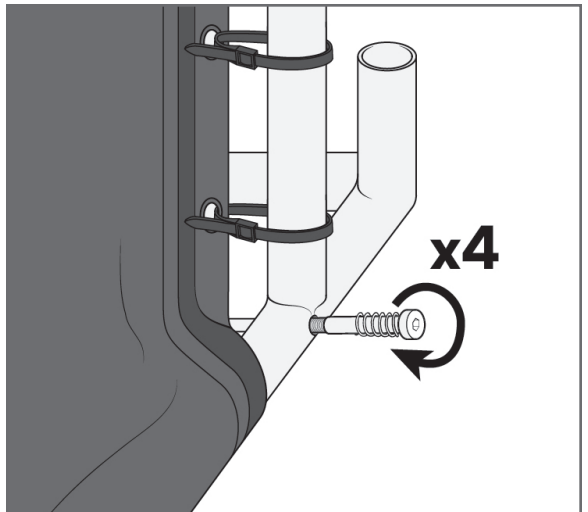
On one side, insert the cable through the fitting.



Then, take a cable receiver, slide a spring onto the receiver.

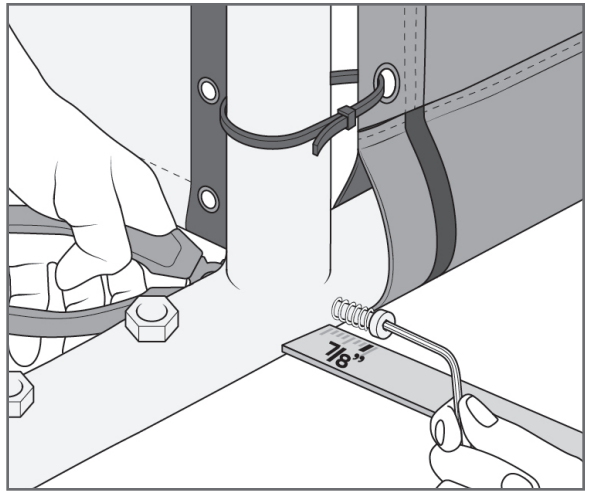
Next, thread the receiver onto the cable, with at least 4 turns of the cable receiver.

Repeat on the other side.



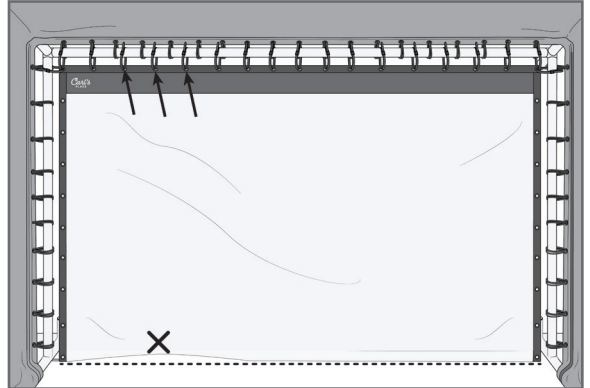
Alternate tightening each end of the cable. Use a pliers to hold the cable and prevent it from spinning, while using 3/16" Hex key to tighten the receiver.

Tighten until the springs compress and the receivers stick out 7/8".



Return to the top zip ties.

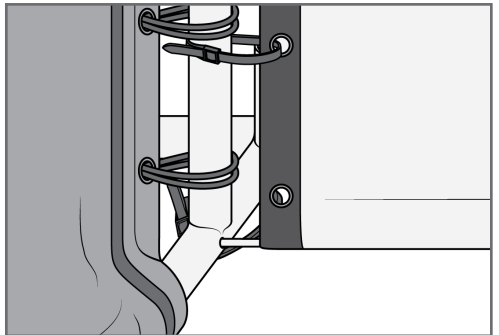
! Starting with the corners, **carefully tighten each zip tie** until the screen barely touches (and is level with) the floor.



Add zip ties to all remaining grommets on the sides of the screen.

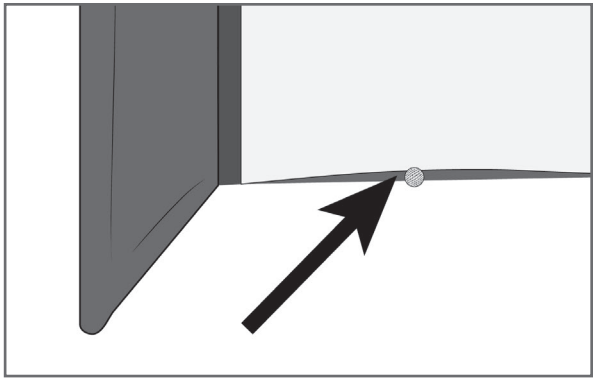
! Zip ties should not stretch the screen. Tighten until barely taut.

On the bottom grommets, wrap the zip tie **under and around the bottom pipe.**



Check Screen Tension

Step back and make sure that the screen is level with (and barely touching) the floor. If any part of the screen is off the floor, find and loosen the zip tie(s) that lowers it.

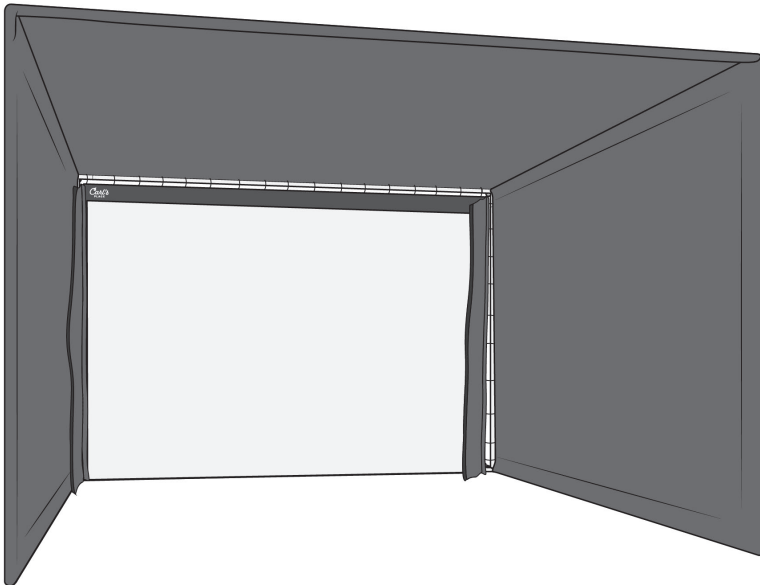


While enjoying your new enclosure, regularly check and fine-tune zip ties to keep the screen just touching the floor.

Carl's Tips

If the screen rests on high pile carpet or thick turf, you might find that balls are able to squeeze under the screen. To keep the balls from rolling away, consider adding a back cover.

Congrats! Your screen is hanging and looking good. Let's finish up!



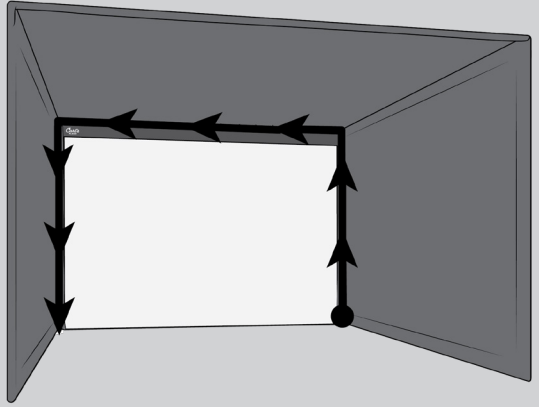
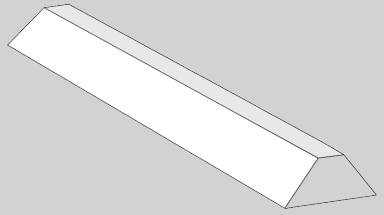
Insert (Optional) Foam Inserts

Starting at the bottom, push the foam inserts into the gap between the enclosure and screen.

Work your way up and around the screen, covering each piece of foam with the screen flap. Make sure the foam doesn't interfere with the hook-and-loop connection.

The foam will be snug to prevent ricochets. It's helpful to have 2 people. One to push the foam in. One to secure the flap.

When you get to the end, trim off excess foam using a cutting tool. Make adjustments to smooth out the flaps and tuck in the corners for a neat fit.



Attach Screen Flaps

Working around the sides and top of the screen, cover the remaining visible frame pipes using the flaps attached to the screen. Fold the flaps over the grommeted edges of the screen and attach to the enclosure cover using the installed hook-and-loop strips.



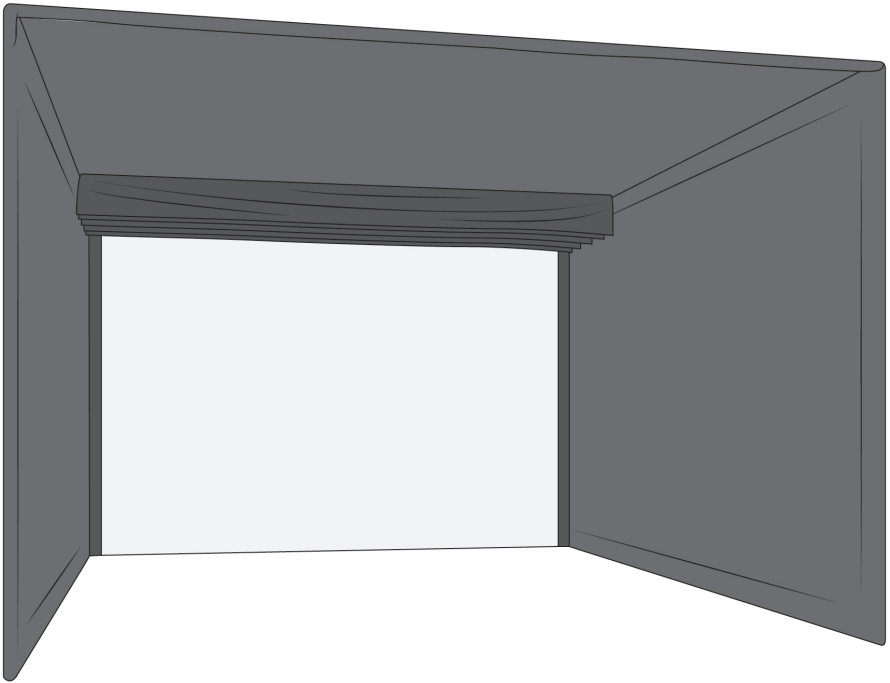
Install Back Cover

If ordered, you'll receive further instructions on incorporating your back enclosure cover into your enclosure assembly.

Nip, tuck, and smooth out any lines.

You're ready to golf!

Hopefully that was the easiest assembly you've done of any floor to ceiling structure. Our enclosure kits are designed with customer feedback in mind to make easy to assemble, easy to use, easy to practice golf simulators.



Carl's Golf Enclosure FAQs

How do I get my screen flat?

Excessive tension on the cable may be the cause. Ensure you haven't overcompressed the cable springs. Then, check each zip tie. Adjust to have the screen level with the floor.

Should I expect any adjustments after the initial installation?

With time and use, the screen will relax and you may need to adjust zip ties.

How do I get rid of the fold marks?

Time, screen weight, and gravity will relax the fold marks after the screen has been installed. This can take a few days up to a few weeks depending on how long the screen was left folded.

How do I keep my screen clean?

Golf balls flying at your screen at high speeds are going to cause spin marks, this is normal. To keep your screen in top shape, make sure you use clean, white, unmarked balls and clean your clubs often.

Why are balls going under the screen?

Check that your screen is touching the floor and adjust zip ties if needed. If the screen rests on high pile carpet, consider adding a back cover.

How can I minimize bounceback?

Your enclosure is designed so the golf ball will be cushioned by the screen and gently fall to the ground. You may get bounceback if you strike a part of the frame though. To minimize this, we recommend adding foam inserts.

Where can I share pictures of my setup?

We want to see your golf setup! Scan the QR code or go to www.carlofet.com/share-with-us. Send us pics. Videos. Rave reviews. Or even recommendations.

More of a social creature? Tag us and throw a quick #my-carlspcace on your post. We just may feature your golf simulator in our next campaign.



Anything else we can help you with?



help@carlofet.com



(608) 352-0002, Monday-Friday, 8am-4pm CT

Customers who do not follow the assembly, instructions and tips in this manual increase their risk of injury. Take proper safety precautions to protect ceilings, walls, windows, cars and neighboring homes. Keep children, pets and spectators out of swing range. **By using any Carl's Place product(s), you agree to the Terms and Conditions, as well as the Privacy Policy and any policies referenced on www.carlofet.com.**

Thank you for your business!

Carl's Place LLC, 1650 Putman Pkwy, Milton, WI 53563
Questions? Comments? We welcome your feedback!
www.carlofet.com | help@carlofet.com | (608) 352-0002