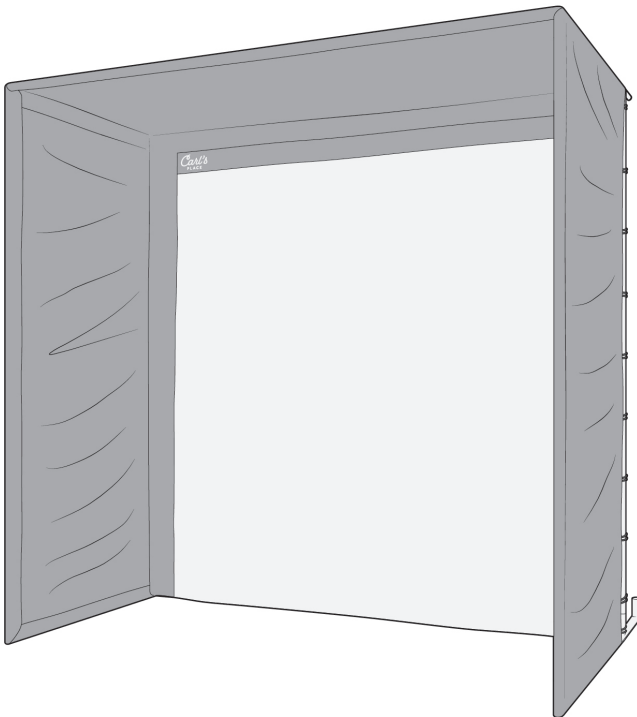




Retrofit Instructions

Converting a DIY Enclosure to C-Series

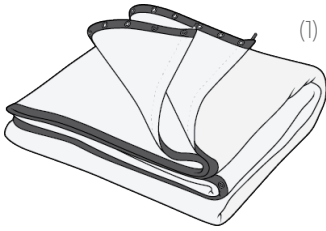


Thanks for choosing to retrofit your Carl's Place enclosure to our new C-Series enclosure! Here's how to get the sleek bottomless border and the safety features of the C-Series.

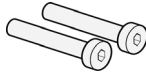
Tools Needed

- Wrench or 1/2" socket
- 3/16" Hex key
- Rubber mallet
- Pliers
- Step Ladder (8-ft recommended)
- Optional. A friend who owes you a favor

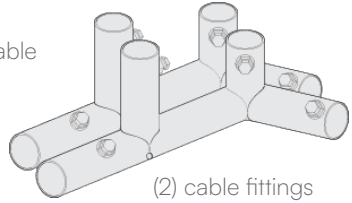
Materials List



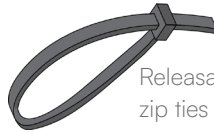
(1) Impact screen with cable



(2) Cable receivers



(2) cable fittings



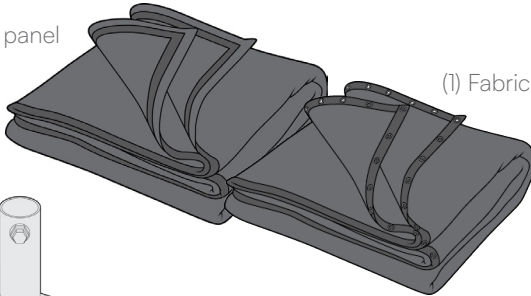
Releasable
zip ties

Didn't order a back cover?

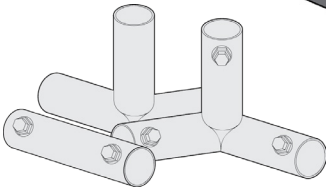
Continue to installation instructions on page 4.

If you ordered a **back cover kit** with your retrofit, you will also receive:

(1) Back cover panel

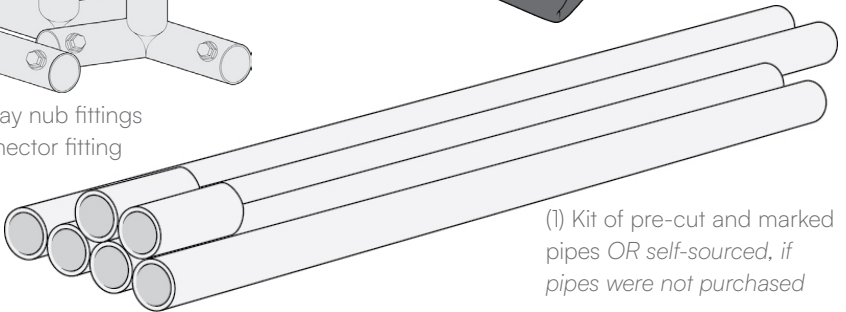


(1) Fabric enclosure cover



(2) 3-way nub fittings

(1) connector fitting



(1) Kit of pre-cut and marked
pipes *OR self-sourced, if
pipes were not purchased*

Retrofits with back covers follow different instructions.

Jump ahead to the instructions on page 8.

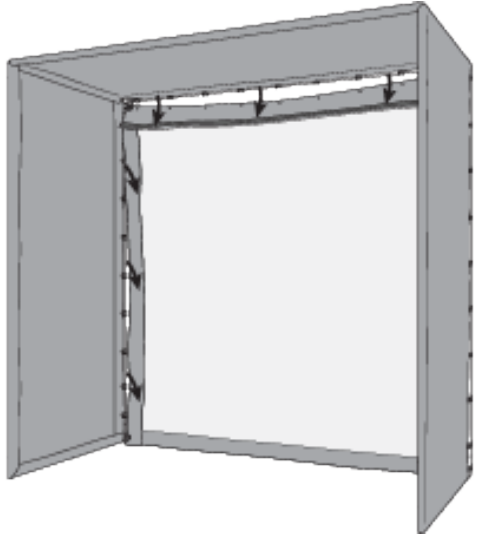
Instructions for Retrofit Kit without Back Cover

Have a back cover kit? Jump to page 8.

Uninstall the Existing Impact Screen

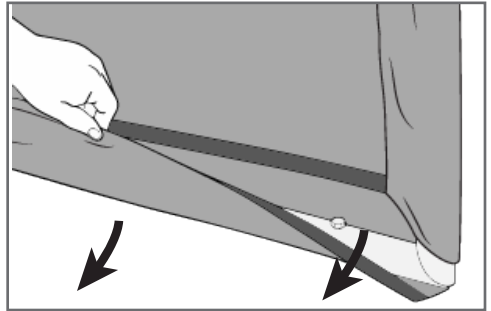
Uninstall flaps by detaching the hook-and-loop fasteners. If you have foam installed, set aside, you can reinstall at the end.

Remove bungees from all sides. Save the bungees, you will use some of them again. Set impact screen aside.



Detach the Bottom of the Enclosure Wall

Detach the hook-and-loop from the bottom inside of each enclosure wall.

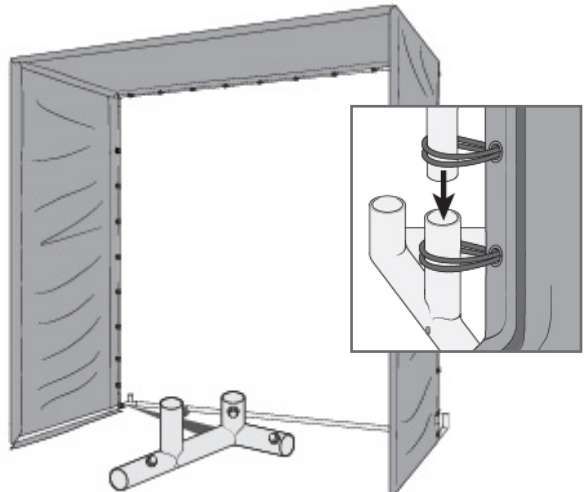


Replace Rear Fittings

Replace the fittings in the bottom back corners with the new cable fittings.

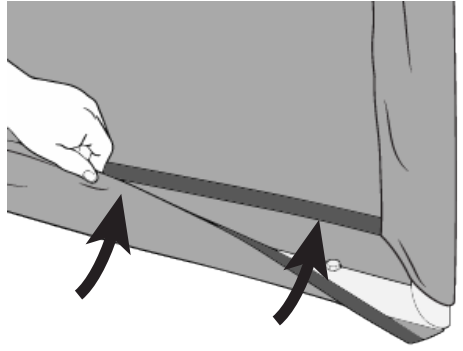
Your bottom width pipe will now be back set about 1 foot. Set the vertical pipes into the taller front fitting opening.

The shorter opening is used for a back cover. You may need to reattach some of the bungees around the vertical pipe.



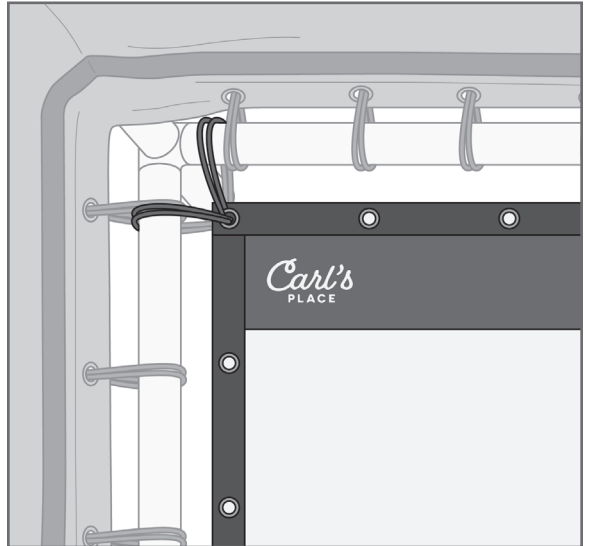
Reinstall the Side Walls

Reattach the hook and loop fasteners on the enclosure walls.



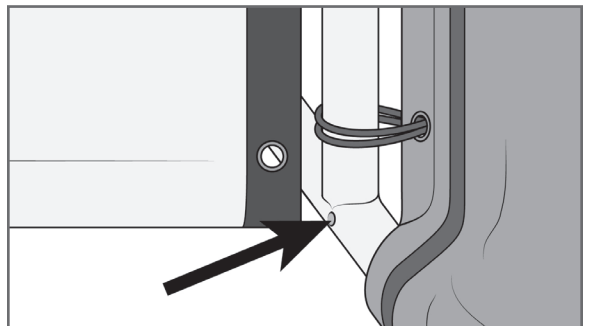
Attach the New Impact Screen

Orient the impact screen with the Carl's Place logo in the top left. Attach the impact screen to the frame, beginning with 2 ball bungees in each of the **top corners**. Face the ball of the bungee to the back.



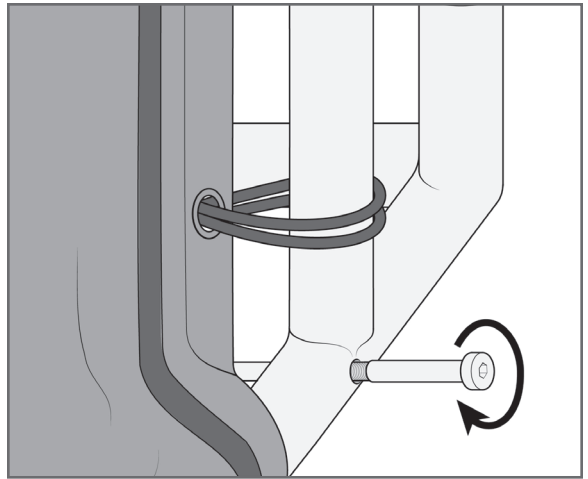
Next, you'll attach the bottom of the impact screen using the cable. The cable is pre-threaded through the bottom sleeve of the impact screen.

On one of the rear corner fittings, locate the small hole at the base of the fitting.



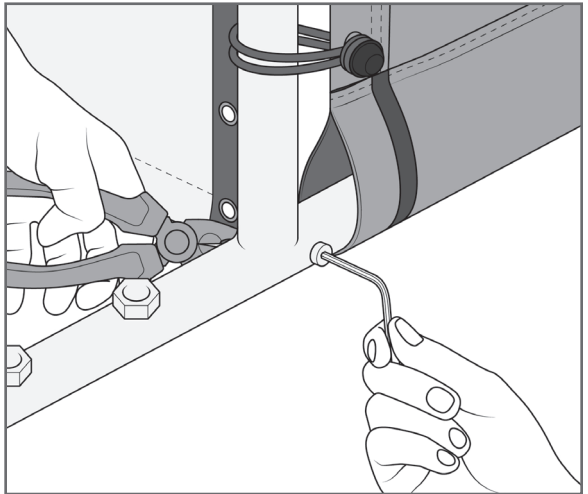
On one side, insert the cable through the fitting. Secure the cable with 4 turns of the cable receiver. Repeat on the other side.

You may need to loosen the first receiver if you can't get the second receiver threaded.

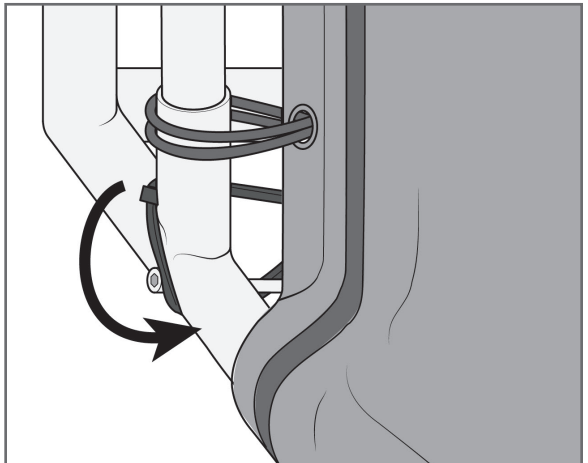


Continue tightening each end of the cable, until the cable is taut. Use a pliers to hold the cable and prevent it from spinning, while using $\frac{3}{16}$ " Hex key to tighten the receiver.

Do not overtighten.



Secure each of the bottom grommets of the screen with a zip tie. Wrap the zip tie **under and around the bottom pipe, held in place by the exposed receiver end.** These 2 bottom zip ties can be pulled tight.

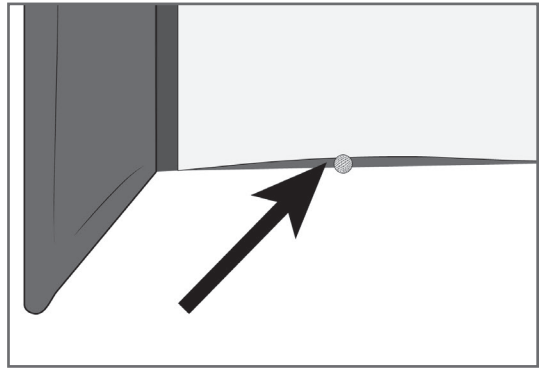
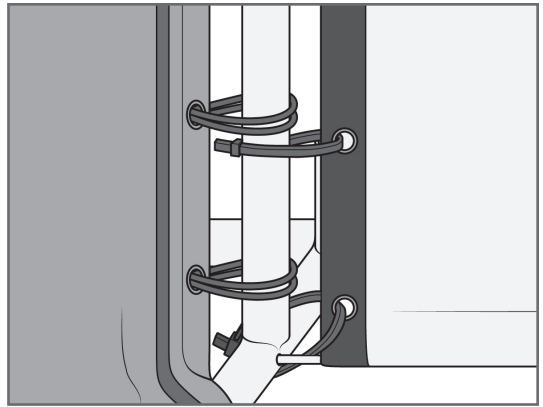


Add zip ties to the remaining grommets, tightening only enough to maintain an even gap between the screen and the pipe.

Check the spacing. The bottom of the screen should be level with the floor.

Screen lifting off the floor? Adjust zip ties to obtain minimal gap on the floor. Don't forget the sides, you may have too much tension on one of the zip ties attached to the vertical pipes.

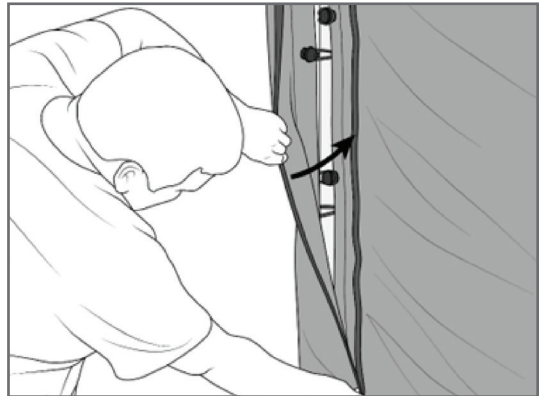
If the screen rests on high pile carpet, you might find an increased number of golf balls making their way under the screen. To keep the balls from rolling away, consider adding a back cover.



Attach Screen Flaps

Optional. Insert foam under the flap as you attach each flap.

Working around the sides and top of the screen, reinstall the screen flaps. Attach the hook-and-loop fasteners to cover the visible pipe frame.



That's it! Nip and tuck to make it look smooth and golfer-ready.

Note: The instructions on the following pages are for retrofit installs with a back cover kit. No back cover kit? You're all done.

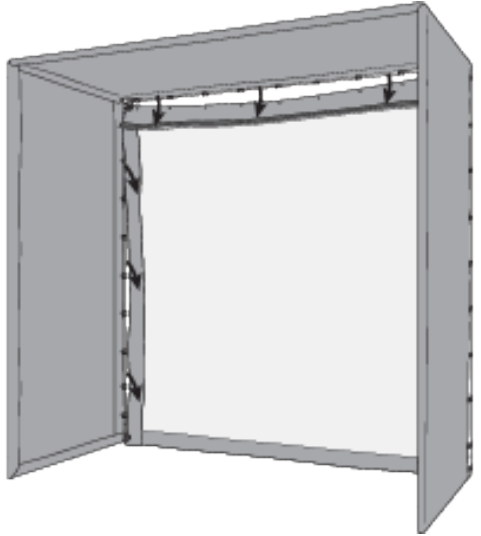
Instructions for Retrofit Kit with Back Cover

No back cover kit? Skip these instructions.

Uninstall the Existing Impact Screen and Enclosure Cover

Uninstall all flaps by detaching the hook-and-loop fasteners. If you have foam installed, set aside, you can reinstall at the end.

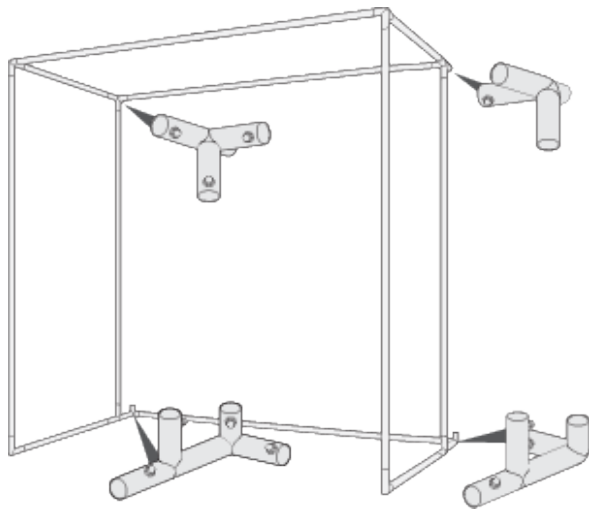
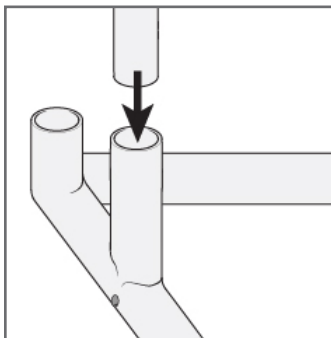
Remove bungees from all sides of screen and enclosure cover. Save the bungees, you will use some of them again. Set impact screen and enclosure cover aside.



Replace All Rear Fittings

Replace the top fittings in the two back corners with the new 3-way nub fittings.

Replace the bottom fittings in two back corners with the two large cable fittings.



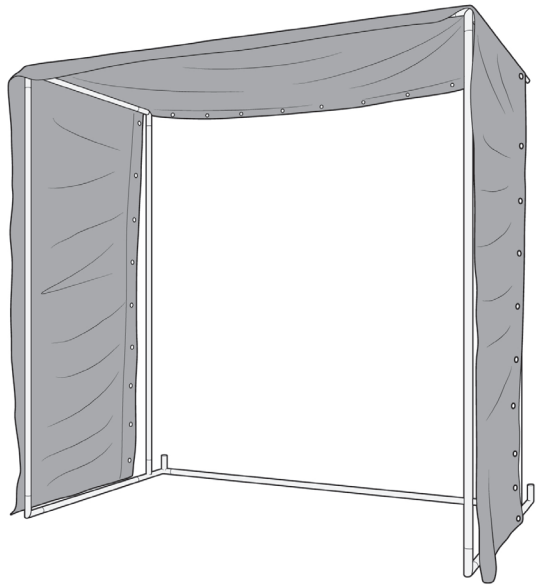
Your bottom width pipe will now be back set about 1 foot. Set the vertical pipes into the taller front fitting opening.

The shorter opening will be used for the back cover.

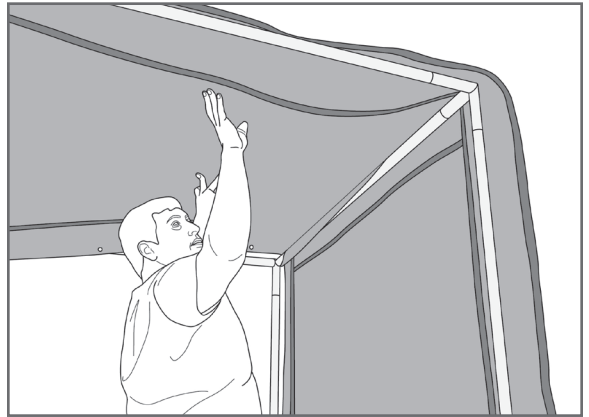
Before attaching the new fabric enclosure, orient it

so that:

1. The grommeted edges are toward the back of the frame.
2. The front of the panel has a flap that hangs over the front pipe.
3. The flaps with hook-and-loop fasteners face the inside of the enclosure.



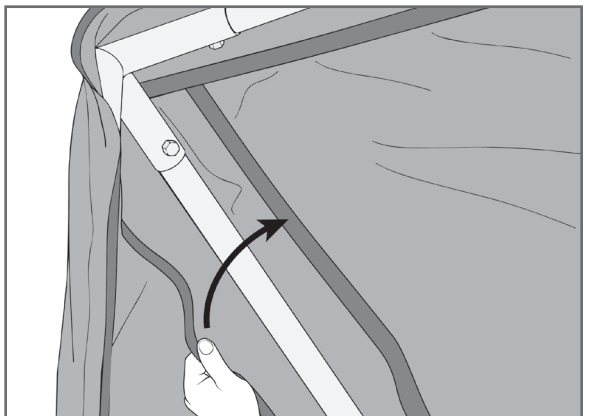
Place the new fabric enclosure cover over the top of the frame.



Attach Inside Corner Flaps

Unfold the two flaps on the upper inside corners of the enclosure cover (the flaps run the depth of the cover).

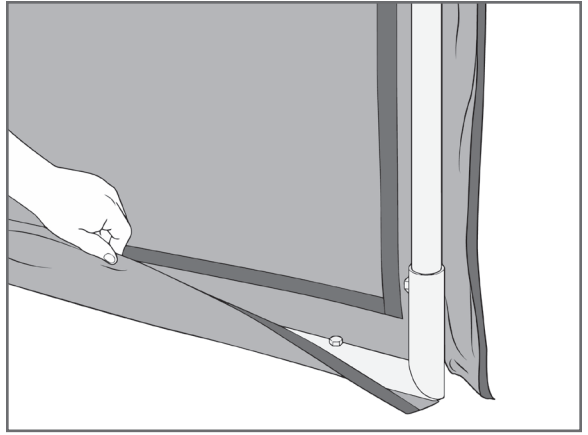
Using the hook-and-loop fastener strips, cover the two upper pipes connecting the front and back of the frame.



Attach Bottom Flaps

On each side of the enclosure, wrap the enclosure cover under the bottom of the frame.

Attach to the side of the enclosure using the hook-and-loop fasteners.

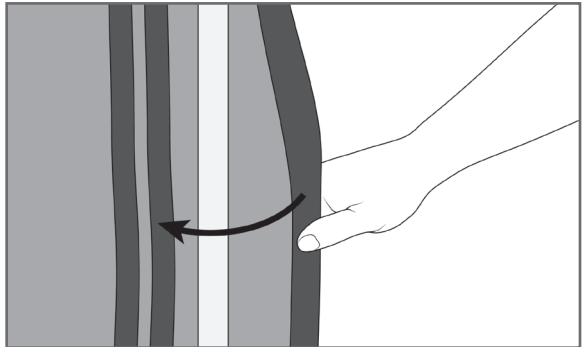


Carl's Tips

Raise up the enclosure frame by setting it on some wood blocks. It will be easier to wrap the cover around the bottom.

Attach Side Flaps

On the side flap, attach the hook fasteners to the closest loop strip. This leaves the rear loop strip accessible.

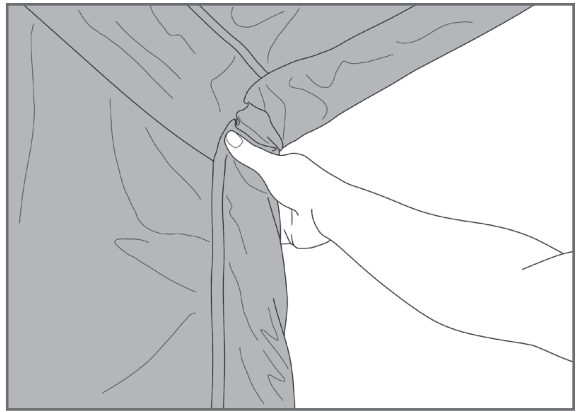


Attach Top Flaps

Repeat the process with the flaps on the top of the enclosure.

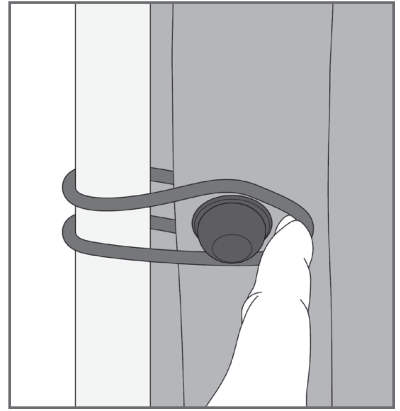


At the corners, excess material should be folded in on itself to keep it from hanging free.



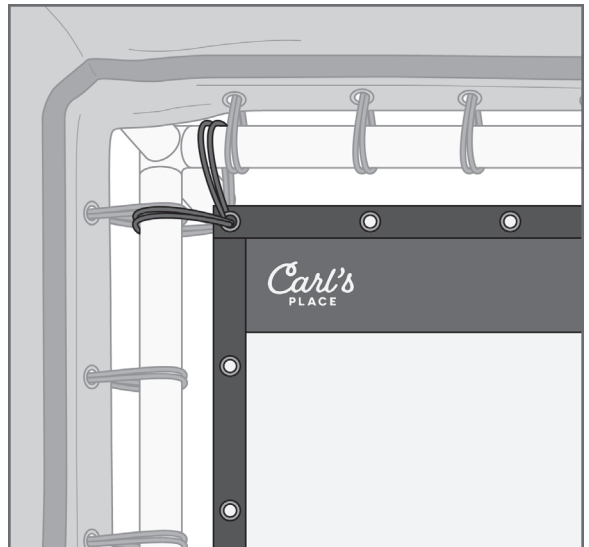
Attach Cover with Ball Bungees

Attach the enclosure cover to the frame using included ball bungees. Face the ball of the bungee to the back of the enclosure.



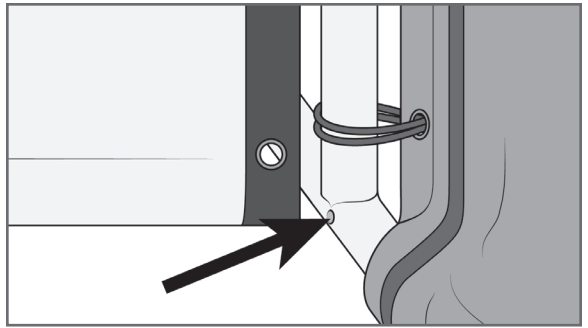
Attach the New Impact Screen

Orient the impact screen with the Carl's Place logo in the top left. Attach the impact screen to the frame, beginning with 2 ball bungees in each of the **top corners**. Face the ball of the bungee to the back.



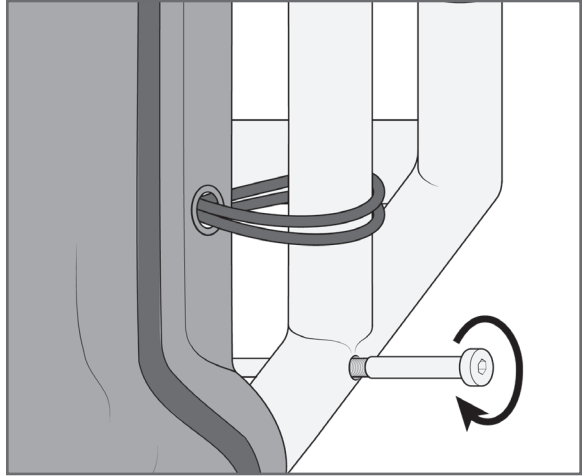
Simplified to show detail. Actual impact screen has flaps.

Next, you'll attach the bottom of the impact screen using the cable. The cable is pre-threaded through the bottom sleeve of the impact screen.



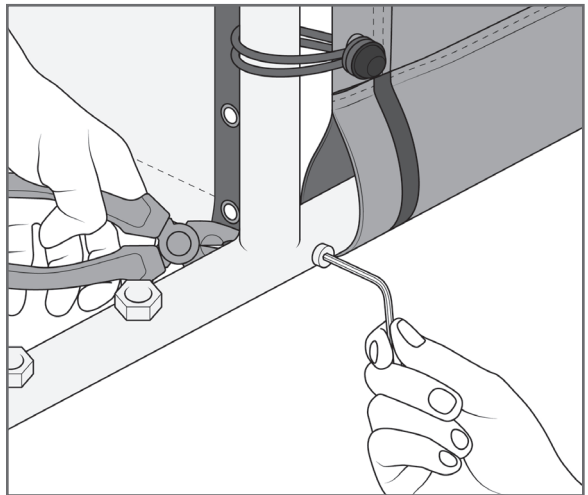
On one of the rear corner fittings, locate the small hole at the base of the fitting.

On one side, insert the cable through the fitting. Secure the cable with 4 turns of the cable receiver. **Repeat on the other side.**



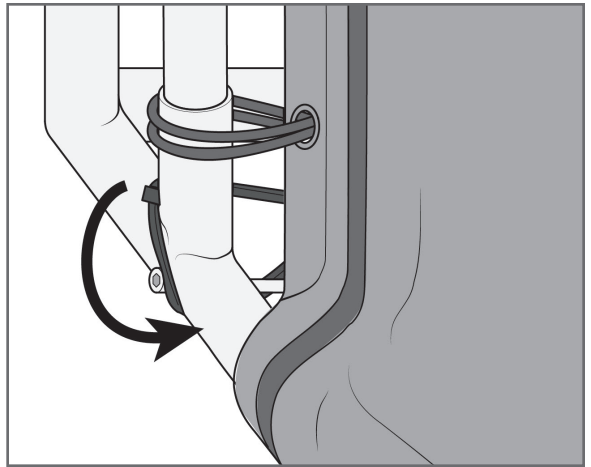
You may need to loosen the first receiver if you can't get the second receiver threaded.

Continue tightening each end of the cable, until the cable is taut. Use a pliers to hold the cable and prevent it from spinning, while using $\frac{3}{16}$ " Hex key to tighten the receiver.

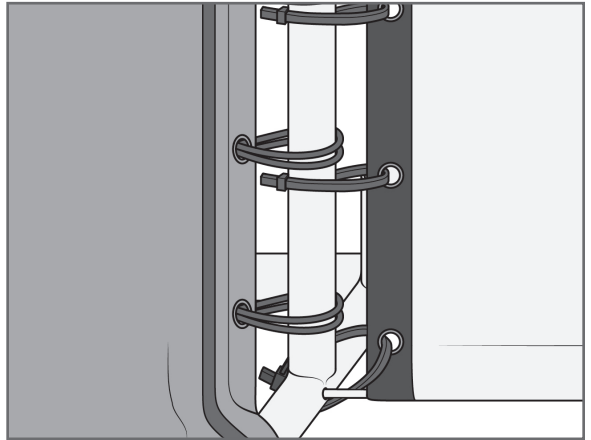


Do not overtighten.

Secure each of the bottom grommets of the screen with a zip tie. Wrap the zip tie under and around the bottom pipe, held in place by the exposed receiver end. These 2 bottom zip ties can be pulled tight.

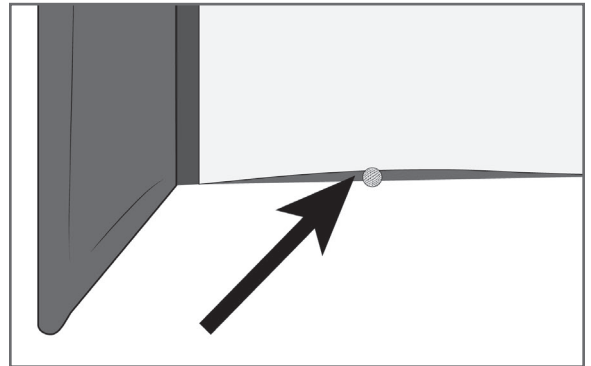


Add zip ties to the remaining grommets, tightening only enough to maintain an even gap between the screen and the pipe.



Check the spacing. The bottom of the screen should be level with the floor.

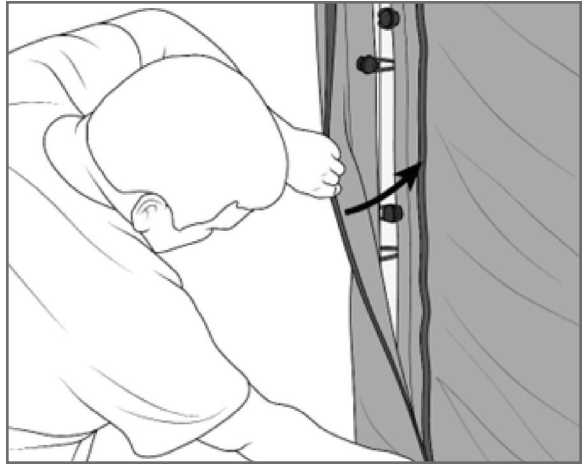
Screen lifting off the floor? Adjust zip ties to obtain minimal gap on the floor. Don't forget the sides, you may have too much tension on one of the zip ties attached to the vertical pipes.



Attach Screen Flaps

If you have foam, insert the foam under the flap as you attach each flap.

Working around the sides and top of the screen, reinstall the screen flaps. Attach the hook-and-loop fasteners to cover the visible pipe frame.



Your new C-Series enclosure is up! Time to get the back cover on. Refer to the Back Cover Frame Assembly Sheet included with your back cover to construct your frame.

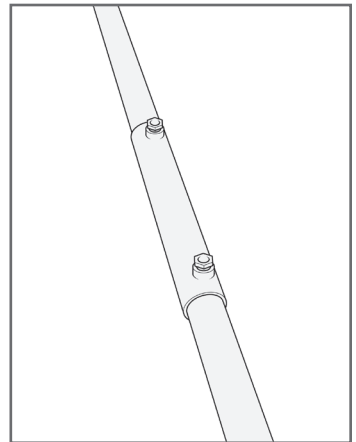
Assemble the Back Cover Pipes

If you did not buy a pipe kit from Carl's Place, you must source your own pipes, cut to the specifications shown on the Frame Assembly Sheet.

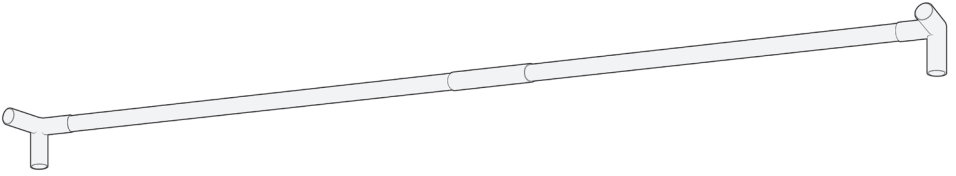
Begin adding the back cover kit to your golf enclosure by assembling and installing the pipes onto the existing enclosure frame.

Depending on the size of enclosure, you may have to assemble both the horizontal and vertical pipes.

Fully insert the pipes into each end of the straight connector fitting (as labeled on the Frame Assembly Sheet). Tighten the fitting bolts.

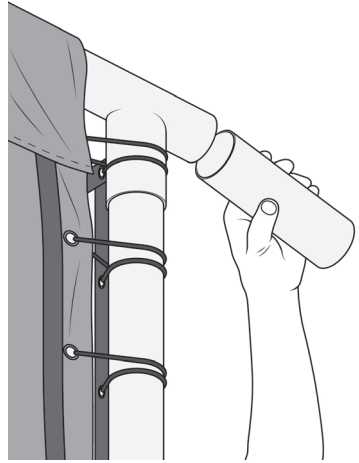


Next, attach the 3-way fittings to both ends of the horizontal pipe. Tighten the fitting bolts.



Insert Mini-Pipes onto the Existing Frame

Starting at the top, fully insert mini-pipes into each top rear enclosure fitting. Make sure they are securely in place and then tighten the fitting bolts.



Place the Horizontal Pipe onto the Mini-Pipes

Lift the fully assembled pipe and slide the fittings onto the installed mini-pipes. You may need to use a rubber mallet to line them up.

Carl's Tips

If any pipes are not fitting properly, double-check that they are fully inserted into the fittings.

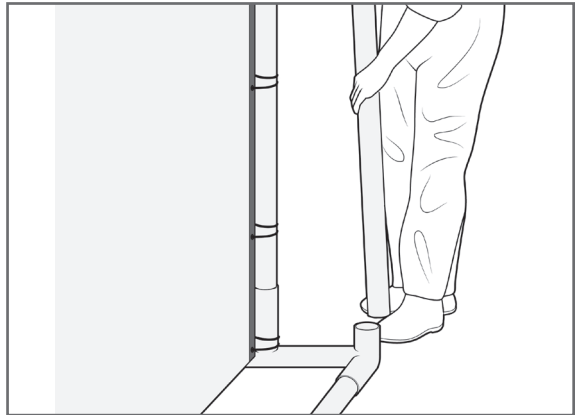


Insert the Vertical Pipes

With the top of the back cover frame complete, it's time to insert the vertical pipe. Start by sliding the vertical pipe up into the top fitting.



Then, angle the pipe into the bottom fitting. Once in position, tighten the fitting bolts securely to ensure stability.

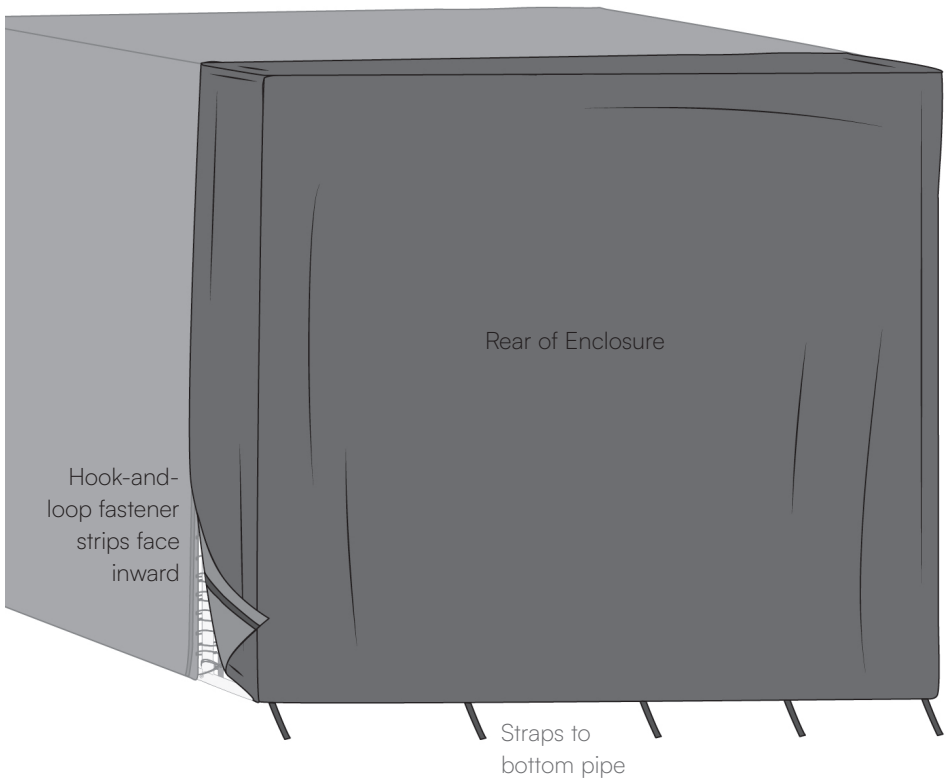


Congratulations! The frame is now complete. All that's left is to attach the back cover fabric panel.

To start the installation of the back cover's black fabric panel, we'll work from the bottom to top.

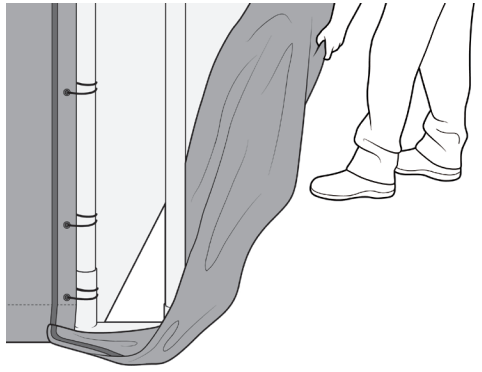
Orient the Back Cover Panel

Take a moment to orient the back cover panel. The side with multiple hook-and-loop fastener straps is the bottom of the panel. These will wrap around the bottom pipe. The hook-and-loop fastener strips face the inside of the enclosure.



Line Up the Edges of the Back Cover Panel

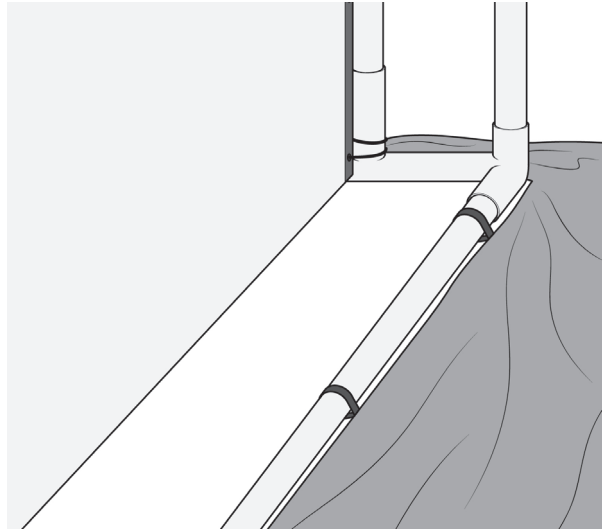
On each side of the enclosure, align the hook-and-loop fastener strip on the back cover panel, with the exposed hook-and-loop fastener strip on the side of the enclosure.



Attach the strips just enough to keep the panel in place.

Wrap the Straps Around the Bottom Pipe

Remember those straps we had you orient to the bottom? Securely wrap the straps around the bottom pipe.



Carl's Tips

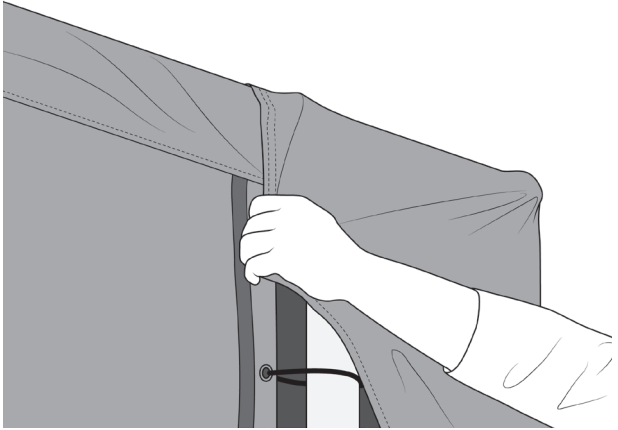
To make wrapping the straps around the bottom pipe easier, place blocks of wood underneath it to lift it up.

Lift and Secure the Back Cover

Carefully lift the back cover panel upward.

Connect the hook-and-loop strips up and around the top of the enclosure.

Re-align and smooth out any parts of the back cover for a neat and professional look. Over time, any creases that resulted from folding will naturally smooth out.



Now, it's time to tee off!

Send Carl a Picture!

We want to see your golf setup! Scan the QR code or go to www.carlofet.com/share-with-us. Send us pics. Videos. Rave reviews. Or even recommendations.



More of a social creature?

Tag us and throw a quick #mycarlsplace on your post.
We just may feature your golf simulator in our next campaign.

Anything else we can help you with?



info@carlofet.com



(608) 352-0002, Monday-Friday, 8am-4pm CT

Customers who do not follow the assembly, instructions and tips in this manual increase their risk of injury. Take proper safety precautions to protect ceilings, walls, windows, cars and neighboring homes. Keep children, pets and spectators out of swing range. **By using any Carl's Place product(s), you agree to the Terms and Conditions, as well as the Privacy Policy and any policies referenced on www.carlofet.com.**

Thank you for your business!

Carl's Place LLC, 1650 Putman Pkwy, Milton, WI 53563

Questions? Comments? We welcome your feedback!

www.carlofet.com | info@carlofet.com | (608) 352-0002