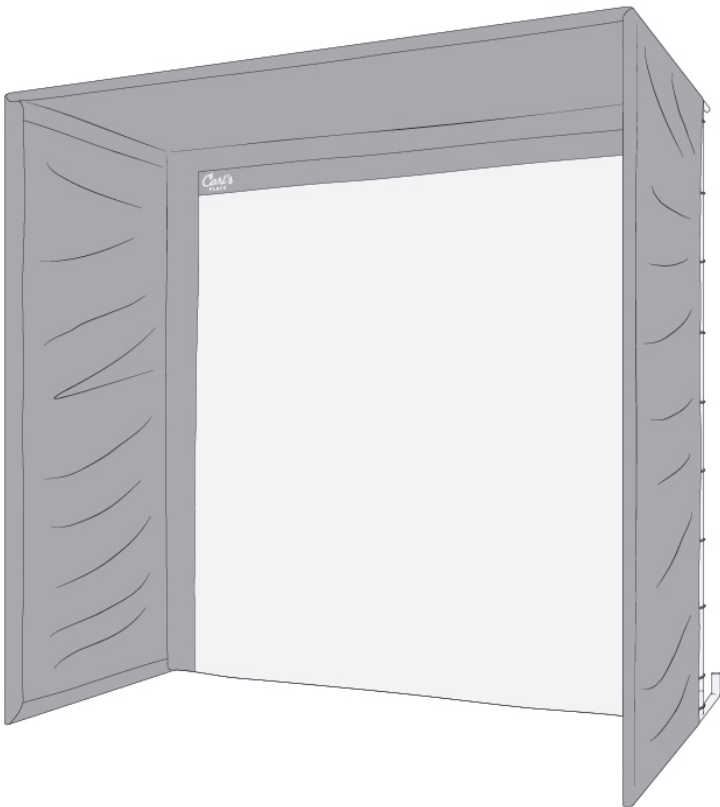


Carl's PLACE

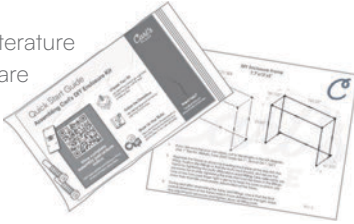
DIY Enclosure Kit

Assembly Instructions & User Manual

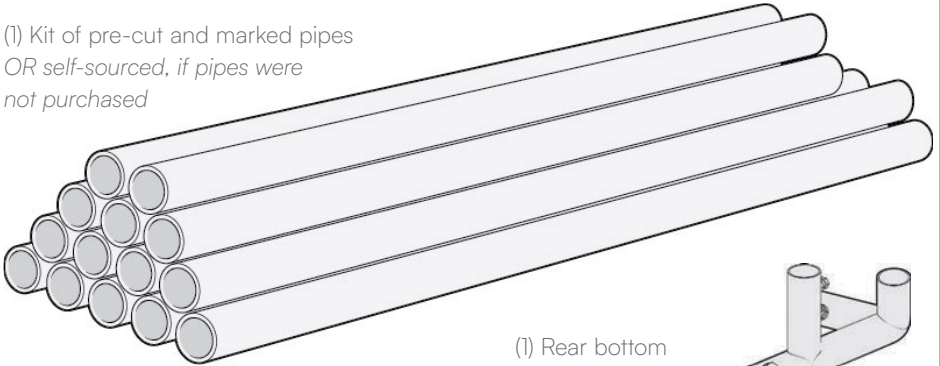


DIY Enclosure Kit Materials List

Bag with Literature
and Hardware



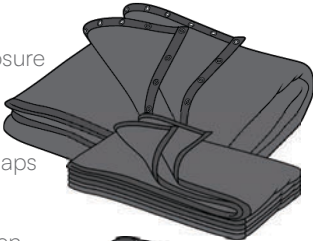
(1) Kit of pre-cut and marked pipes
*OR self-sourced, if pipes were
not purchased*



Zip ties



(1) Fabric enclosure
cover



(5) Detached flaps



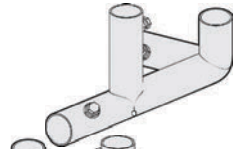
(1) Impact screen
with cable



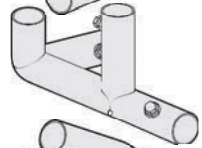
(2) Cable receivers
(2) Springs



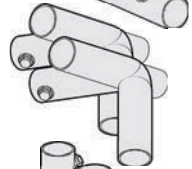
(1) Rear bottom
right fitting



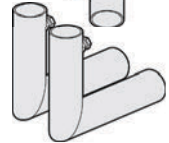
(1) Rear bottom
left fitting



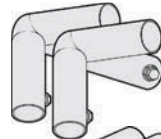
(2) Rear top
fittings



(2) Front bottom
fittings



(2) Front top
fittings



(7) Connector
fittings



What's Needed



~1 hour



Tape measure



Wrench or 1/2" socket and 3/16" Hex key



Pliers



Rubber mallet



Cutting tool



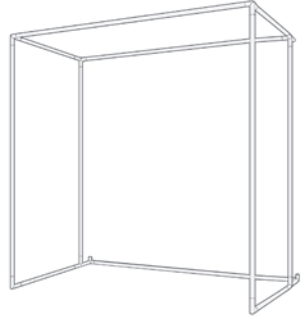
Optional. A friend who owes you a favor



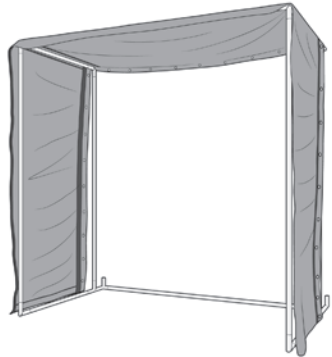
Step Ladder (one that fits inside your enclosure)

Assembly Overview

1. Assemble Frame



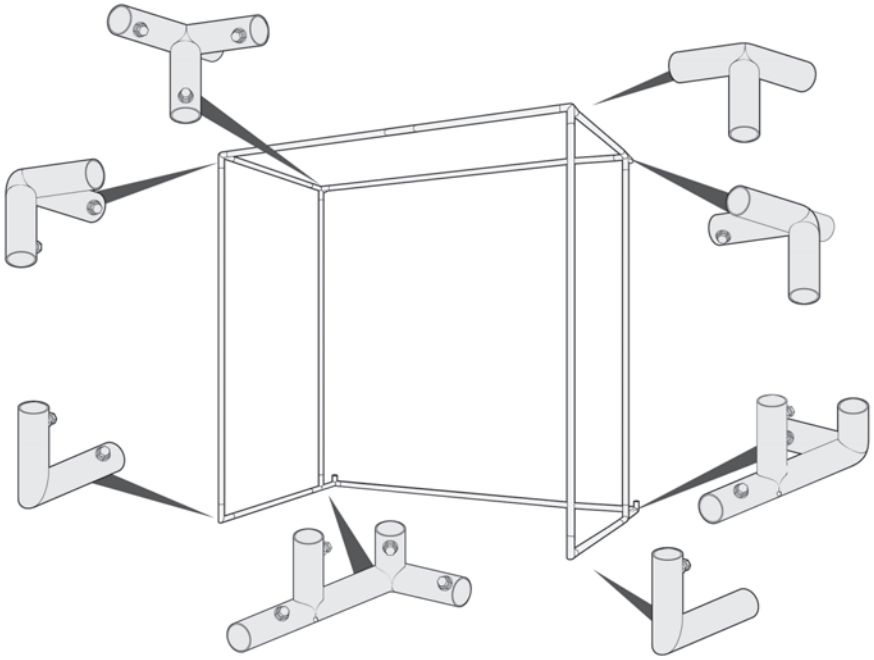
2. Hang Enclosure Cover



3. Hang Impact Screen



Assemble Frame



With your order, you receive a diagram specific to your frame dimensions.
Using your frame diagram, construct your frame.

If you bought a pipe kit from Carl's Place, simply insert the pipes fully into the connectors and tighten using a wrench or $\frac{1}{2}$ " socket. Notice extra holes in the pipes? Disregard it, it's just part of the manufacturing process.

If you did not buy a pipe kit from Carl's Place, you must source your own pipes, cut to the specifications shown on your frame diagram.

Carl's Tips

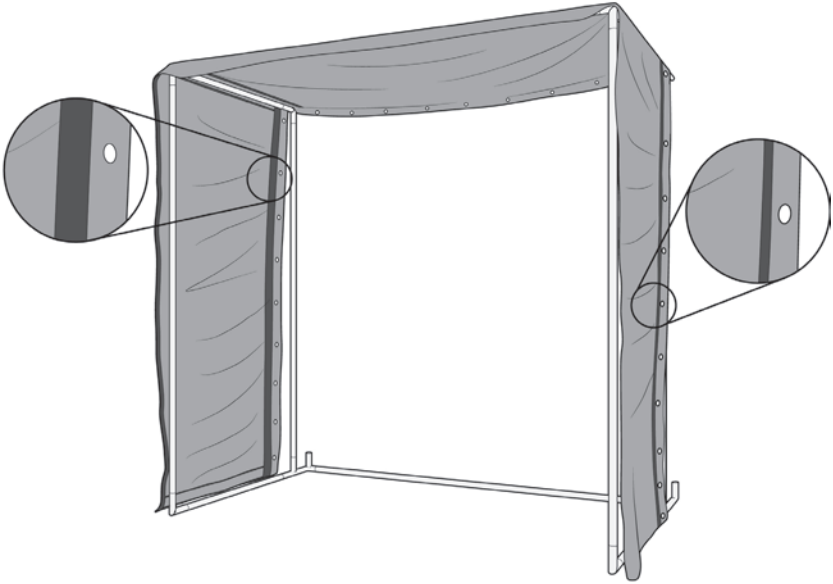
Start by assembling the bottom of the frame, using a rubber mallet to fully insert the pipes into the fittings. Then, work bottom to top, back to front.

Note: Some accessories have additional pipes.
If you ordered a back cover kit with pipes, set those aside. You'll construct that part later.

Hang Enclosure Cover

Before attaching, orient the cover so that:

1. The grommeted edges are toward the back of the frame.
2. The thicker hook-and-loop strips along the grommets face the inside of the enclosure.
3. The skinny strips along the grommets face the outside of the enclosure.



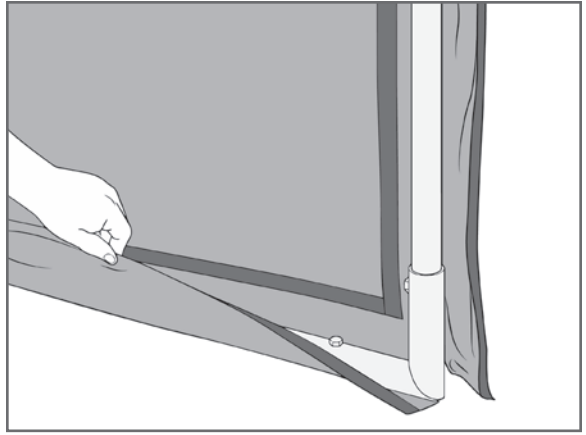
Place the fabric enclosure cover over the top of the completed frame.



Attach Bottom Flaps

On each side of the enclosure, starting by the screen, wrap the enclosure cover under the bottom of the frame.

Attach to the side of the enclosure using the hook-and-loop fasteners.

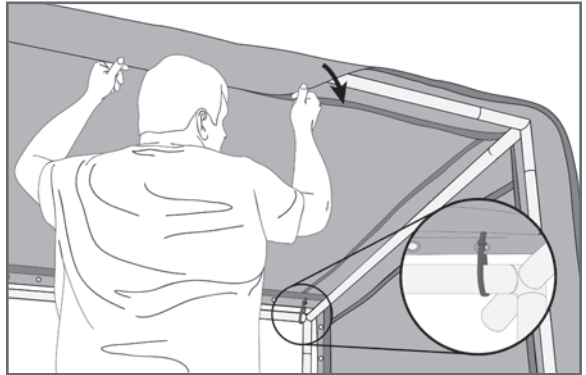


Carl's Tips

It helps to have a bit of tension on the ceiling for this next step. Add just one zip tie at each corner of the enclosure cover, wrapping it around the top rear horizontal pipe. (See closeup image below.)

Attach Top Flaps

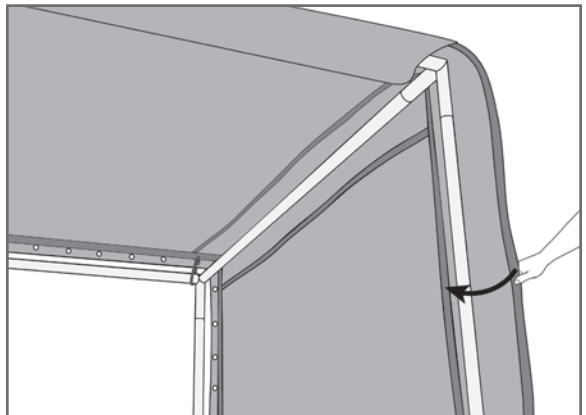
Starting in the middle of the frame, attach the top flap around the front enclosure pipe, smoothing it down as you go.



Attach Side Flaps

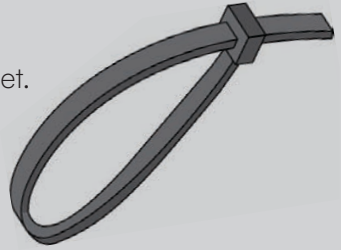
Starting at the top of the side flap, attach the hook fasteners to the loop strip.

Corners can wait - you'll lift them soon to add a flap, so no need to make them perfect now.



To use the zip ties:

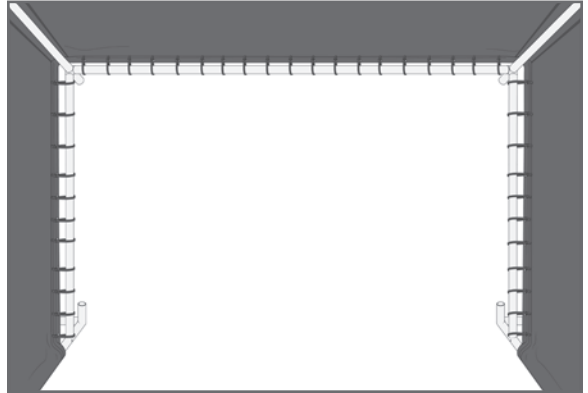
1. Insert the tail end of the zip tie into a grommet.
2. Wrap the tail around the pipe and insert into the head.



DO NOT overtighten zip ties.

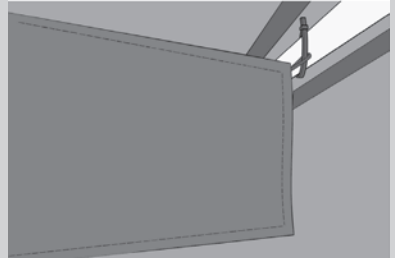
Attach Cover with Zip Ties

Attach the enclosure cover to the frame using zip ties. Tighten only enough to hold the fabric taut, creating an even space between the enclosure cover and the pipe.



Install (Optional) Baffles Baffles can be spaced at any preferred distance away from the screen. 1 - 1.5 ft apart is common.

Hang the baffle(s) with zip ties around the top pipes on each side of the enclosure, with the matte side facing the front.



Congrats! You've got your enclosure cover up!



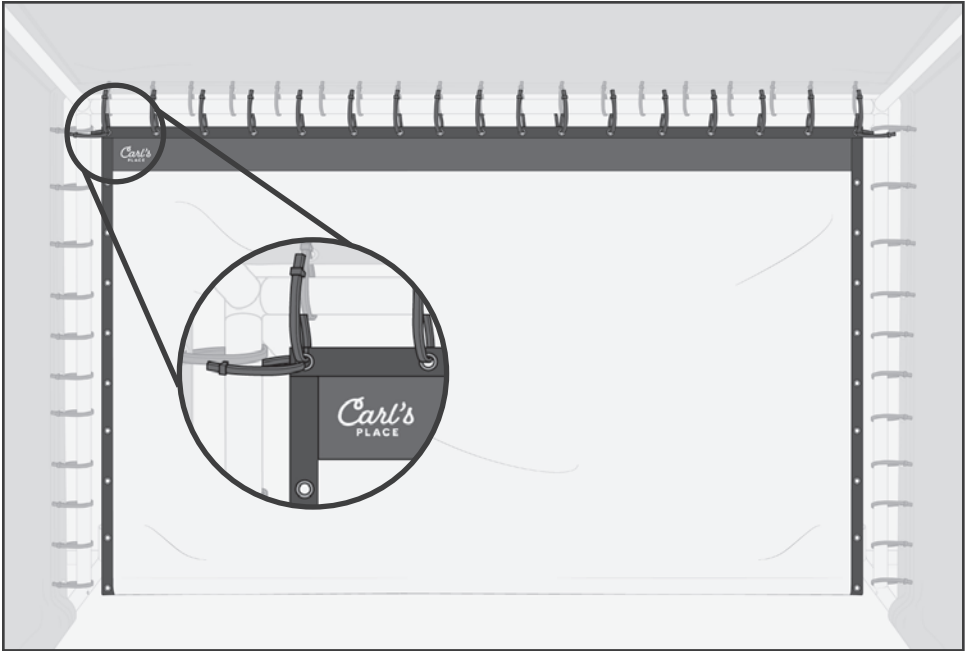
Order pizza. Because why not celebrate with pizza?

Hang Impact Screen

Orient the impact screen with the Carl's Place logo in the top left.

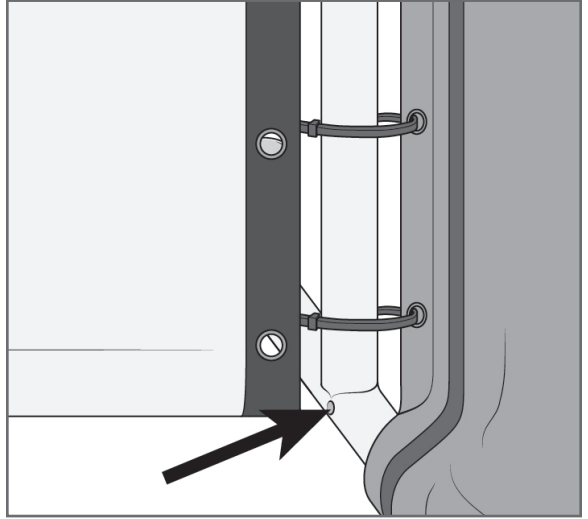
- ! Pay attention to the placement and tautness of the zip ties in each step. Following these steps closely helps get the smoothest screen possible.

Loosely hang the screen on the frame, beginning with two zip ties (one connecting in each direction) in each of the top two corners. Continue loosely securing the rest of the zip ties **across the top of the screen only**.

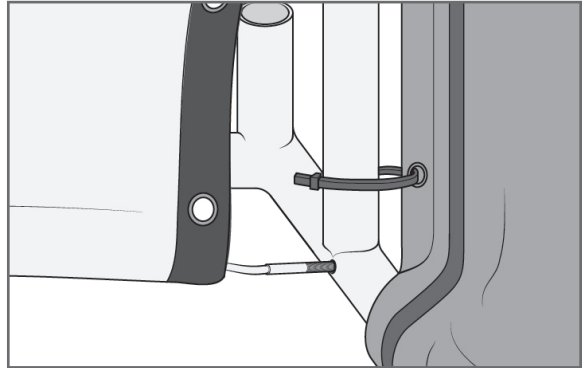


Next, you'll attach the bottom of the impact screen using the cable. The cable is pre-threaded through the bottom sleeve of the impact screen.

On one of the rear corner fittings, locate the small hole at the base of the fitting.



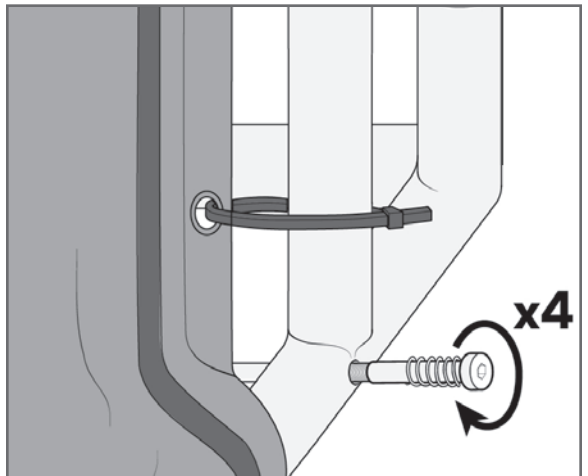
On one side, insert the cable through the fitting.



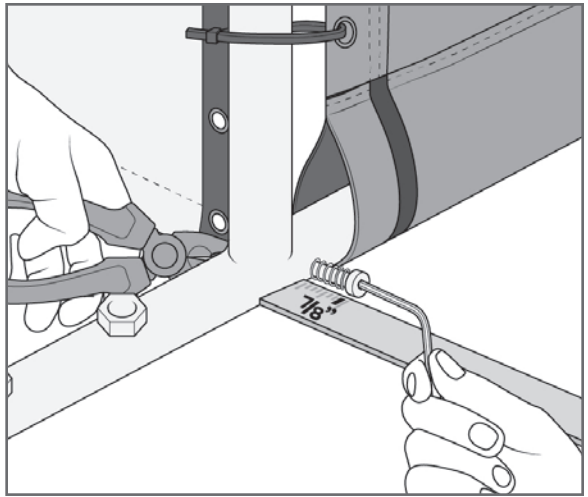
Then, take a cable receiver, slide a spring onto the receiver.

Next, thread the receiver onto the cable, with at least 4 turns of the cable receiver.

Repeat on the other side.



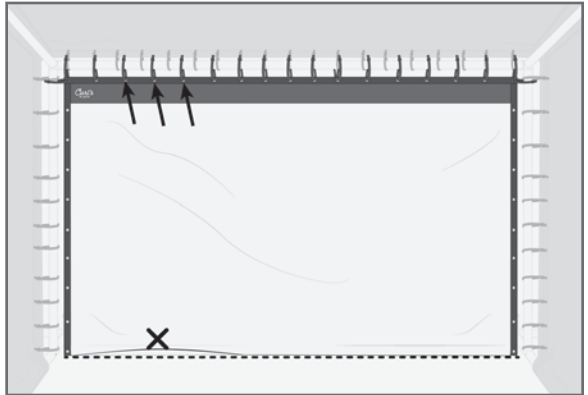
Alternate tightening each end of the cable. Use a pliers to hold the cable and prevent it from spinning, while using 3/16" Hex key to tighten the receiver.



Tighten until the springs compress and the receivers stick out 7/8". DO NOT OVERTIGHTEN.

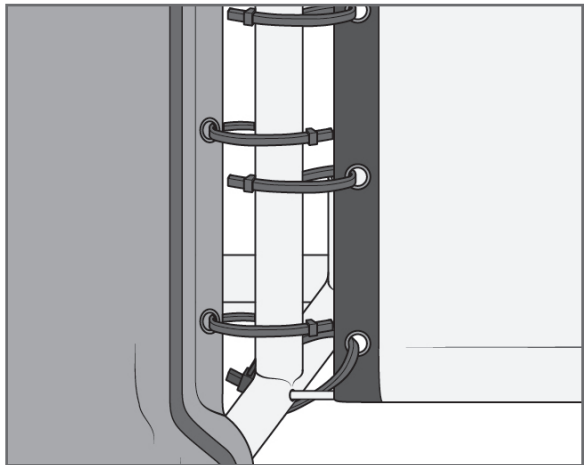
Return to the top zip ties.

! Starting with the corners, **carefully tighten each zip tie** until the screen barely touches (and is level with) the floor.



Add zip ties to all remaining grommets on the sides of the screen.

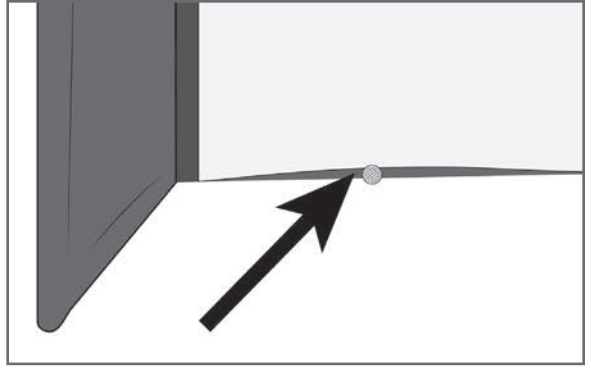
! Zip ties should be taut, without stretching the screen. **DO NOT over-tighten.**



On the bottom grommets, wrap the zip tie **under and around the bottom pipe.**

Check Screen Tension

Step back and make sure the bottom of the screen is level with (and barely touching) the floor. If any part of the screen is off the floor, find the overtightened zip tie(s) and replace it.

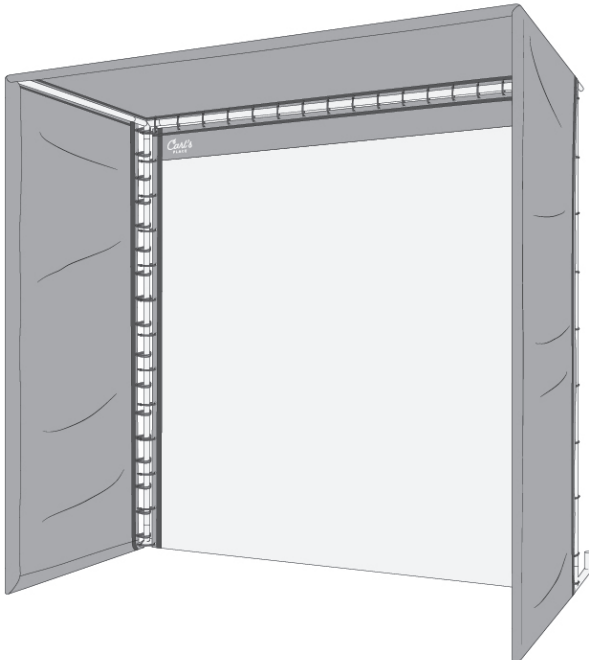


While enjoying your new golf enclosure, regularly check and fine-tune zip ties to keep the screen lightly touching the floor.

Carl's Tips

If the screen rests on high pile carpet or thick turf, you might find that balls are able to squeeze under the screen. To keep the balls from rolling away, consider adding a back cover.

Congrats! Your screen is hanging and looking good. Let's finish up!

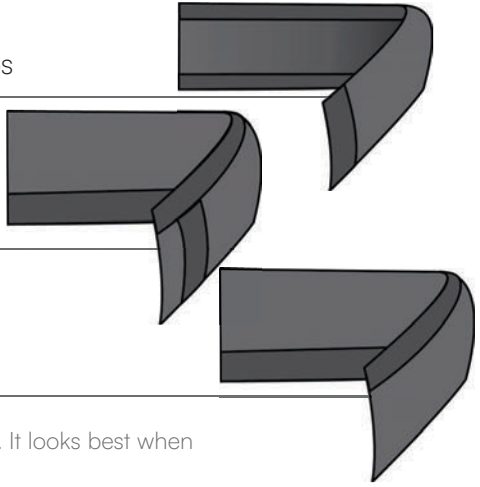


Time to attach the 5 flaps that will cover the exposed pipes. First, identify each flap. *Flap length varies by enclosure size.*

Depth (2 flaps) - Skinniest of the flaps

Width (1 flap) - Spans the width of your screen; has intersecting hook-and-loop strips on one side

Height (2 flaps) - Spans the height of your screen; has a hook fastener strip on each side



The flaps have a matte side and a shiny side. It looks best when both matte sides face the golfer.

Attach Depth Flaps

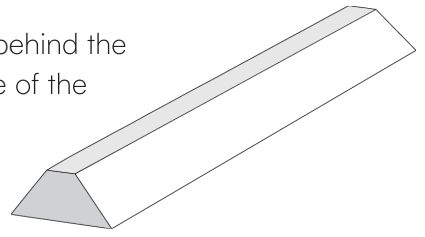
The depth flaps go on the upper inside corners of the enclosure cover.

Starting at the front of the enclosure, pull back the front corner, just enough to align the flap. Attach the bottom of the flap to the wall, then lift up to the ceiling. Continue all the way to the screen.

Smooth out the flaps and corner again for a neat fit.

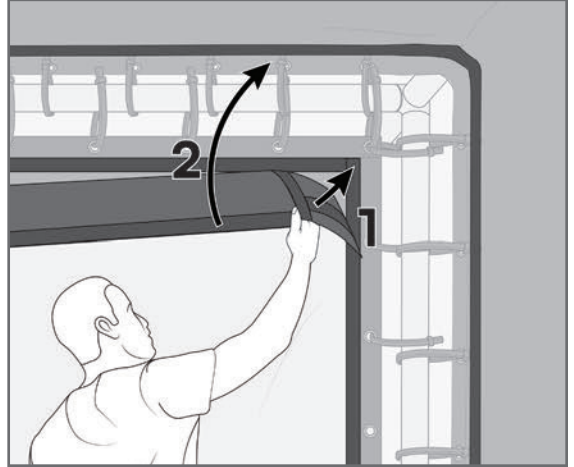


If you ordered foam inserts, push the foam behind the width and height flaps with the narrow edge of the foam facing the pipe. Trim off any excess with a cutting tool.



Attach Width Flaps to Screen

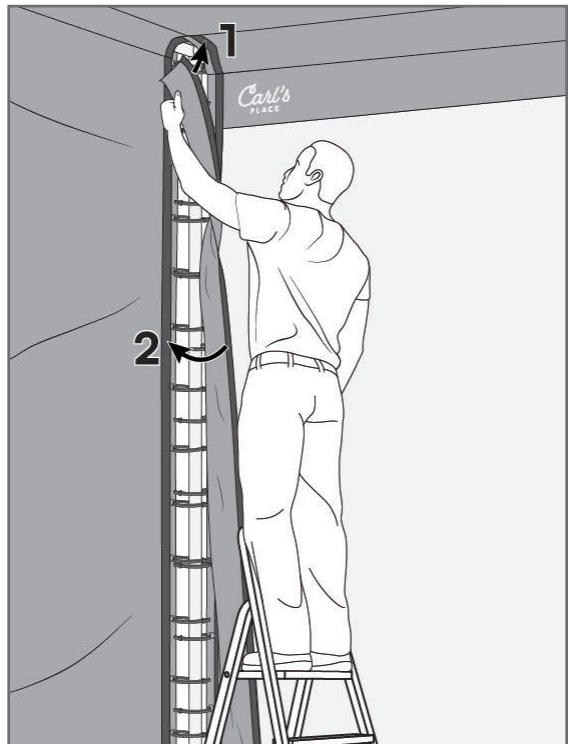
1. On the width flap, attach the side where the hook-and-loop strips intersect to the top corner of the screen (*flap will hang down over the screen*). Continue attaching along the top edge.
1. Then lift the flap up and secure to the ceiling using the hook-and-loop strips.



Attach Height Flaps to Screen

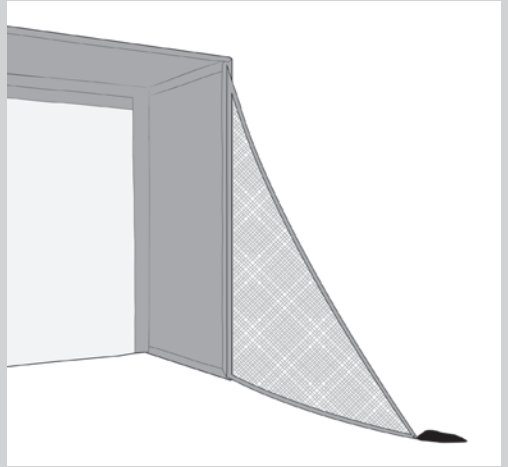
1. Starting at the top, align the height flap to the top of the width flap.
2. Then fold the flap over and secure to the wall using the hook-and-loop strips.

Tuck the excess flap material at the bottom under the enclosure (or under the foam inserts, if ordered) to secure it.



Attach Net Walls

If ordered, your net walls attach to the loop strip still exposed on the front of the enclosure cover.



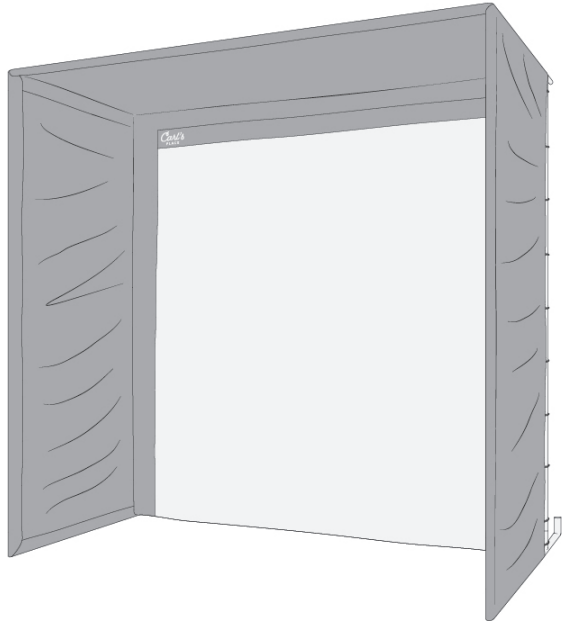
Install Back Cover

If ordered, you'll receive further instructions on incorporating your back enclosure cover into your enclosure assembly.

Nip, tuck, and straighten out any bumpy edges.

You're ready to golf!

Hopefully that was the easiest assembly you've done of any floor to ceiling structure. Our enclosure kits are designed with customer feedback in mind to make easy to assemble, easy to use, easy to practice golf simulators.



Carl's Golf Enclosure FAQs

How do I get my screen flat?

Excessive tension on the cable may be the cause. Ensure you haven't over-compressed the cable springs. Then, check each zip tie. Adjust to have the screen level with the floor.

Should I expect any adjustments after the initial installation?

With time and use, the screen will relax and you may need to adjust zip ties.

How do I get rid of the fold marks?

Time, screen weight, and gravity will relax the fold marks after the screen has been installed. This can take a few days up to a few weeks depending on how long the screen was left folded.

How do I keep my screen clean?

Golf balls flying at your screen at high speeds are going to cause spin marks, this is normal. To keep your screen in top shape, make sure you use clean, white, unmarked balls and clean your clubs often.

Why are balls going under the screen?

Check that your screen is touching the floor and adjust zip ties if needed. If the screen rests on high pile carpet, consider adding a back cover.

How can I minimize bounceback?

Your enclosure is designed so the golf ball will be cushioned by the screen and gently fall to the ground. You may get bounceback if you strike a part of the frame though. To minimize this, we recommend adding foam inserts.

Where can I share pictures of my setup?

We want to see your golf setup! Scan the QR code or go to www.carlofet.com/share-with-us. Send us pics. Videos. Rave reviews. Or even recommendations.

More of a social creature? Tag us and throw a quick #my-carlspalce on your post. We just may feature your golf simulator in our next campaign.



Anything else we can help you with?



help@carlofet.com



(608) 352-0002, Monday-Friday, 8am-4pm CT

Customers who do not follow the assembly, instructions and tips in this manual increase their risk of injury. Take proper safety precautions to protect ceilings, walls, windows, cars and neighboring homes. Keep children, pets and spectators out of swing range. **By using any Carl's Place product(s), you agree to the Terms and Conditions, as well as the Privacy Policy and any policies referenced on www.carlofet.com.**

Thank you for your business!

Carl's Place LLC, 1650 Putman Pkwy, Milton, WI 53563

Questions? Comments? We welcome your feedback!

www.carlofet.com | help@carlofet.com | (608) 352-0002